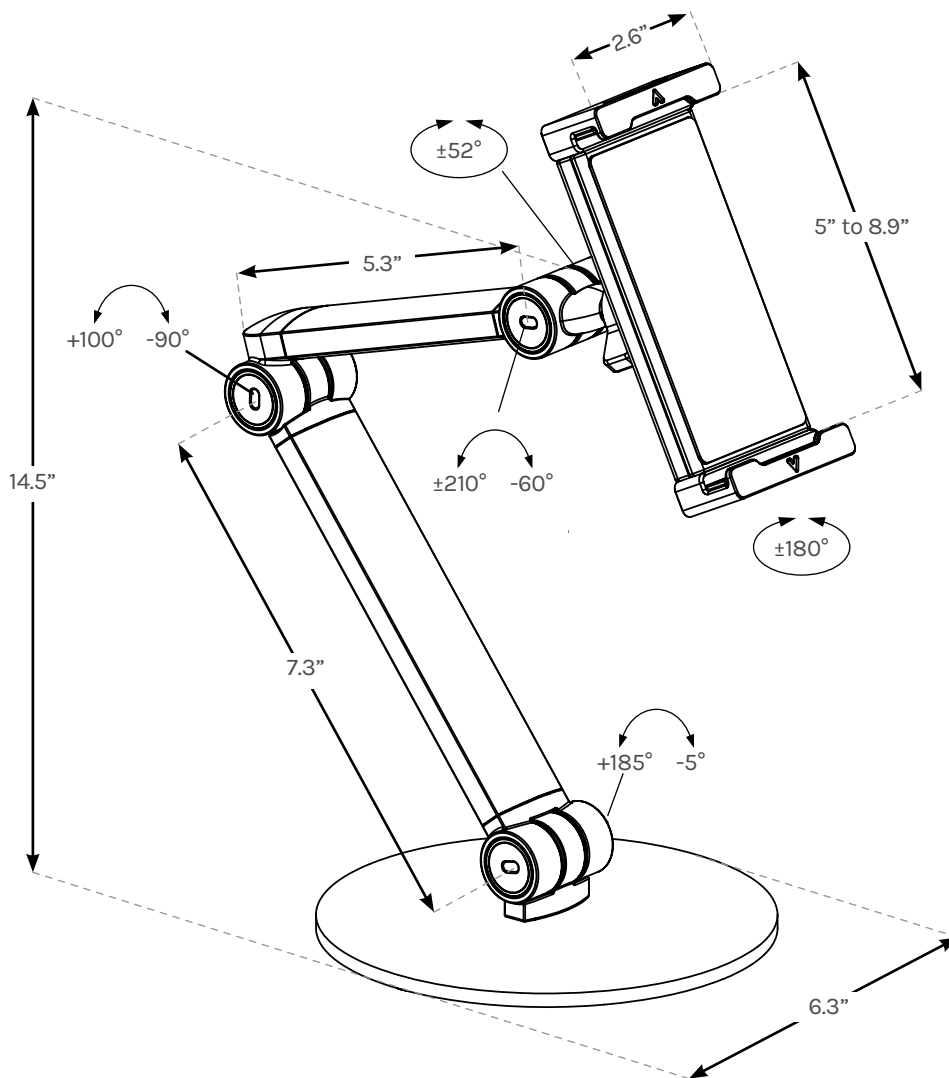


# Adjustable Tablet Stand

ACC095

## Specifications



<b>Warranty</b>	15 year warranty on all UPLIFT Desk products Visit <a href="http://upliftdesk.com/warranty/">upliftdesk.com/warranty/</a> for more information	<b>Maximum height (to device center)</b>	14.5"
<b>Product dimensions &amp; weight</b>	6.3" L x 6.3" W x 17.25" H, 2.4lb	<b>Device weight capacity</b>	2.2 lbs
<b>Material</b>	Aluminum, steel, and molded plastic construction	<b>Screen rotation</b>	360°
<b>Color</b>	Black or white powdercoat	<b>Screen swivel range</b>	+/-52°
<b>Device size range</b>	Spring-loaded device clamp securely grips with a range from 5" to 8.9"	<b>Screen tilt range</b>	+210/-60°
		<b>Shipping dimensions &amp; weight</b>	10" L x 7" W x 2.25" H, 2.75 lb



Copyright Notice: This guide is a component of this UPLIFT Desk product. This guide is a part of the scope of delivery, even if the item is resold. This guide is also available on the UPLIFT Desk website: [upliftdesk.com](http://upliftdesk.com). These specifications are subject to United States copyright law.