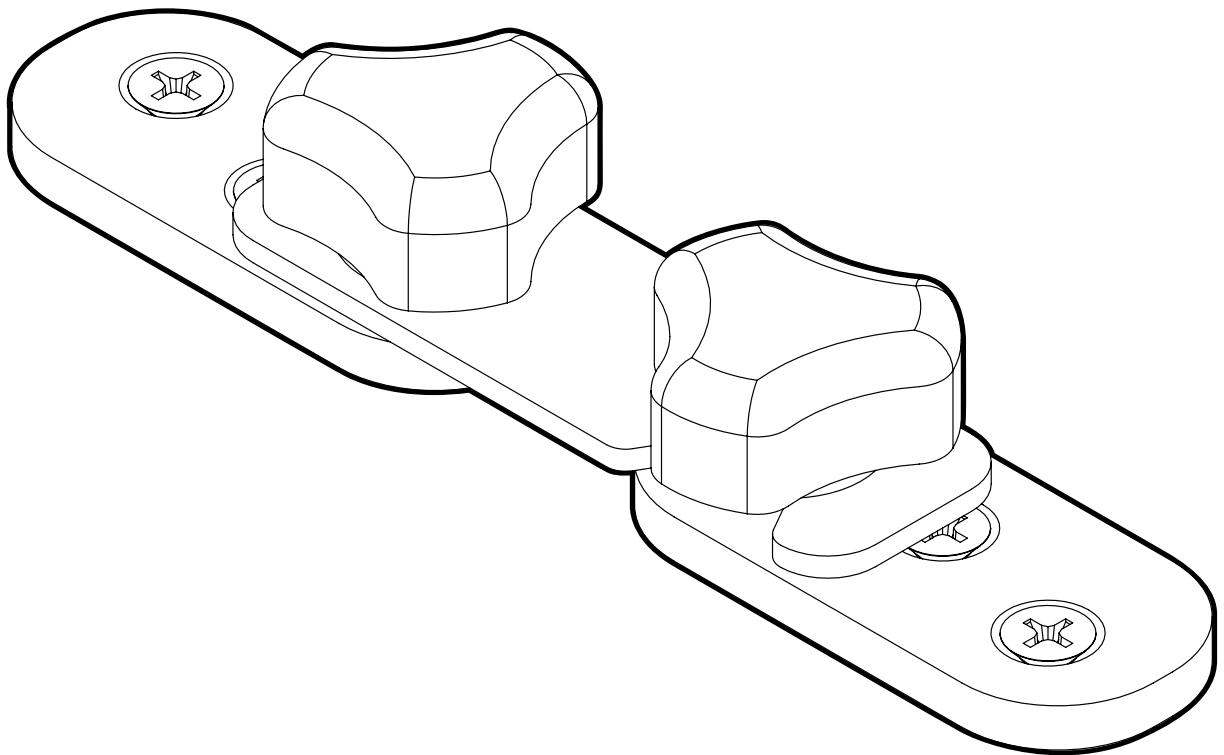


Table Ganging Brackets

UPLIFT DESK

FRM069



For assembly assistance,
visit upliftdesk.com/contact,
or call 800-349-3839,
or email info@upliftdesk.com

Safety and Warnings

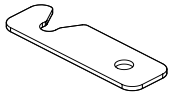
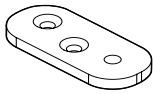
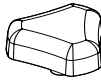
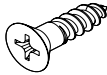
CAUTION: Read all instructions before assembly. Failure to assemble or operate properly may result in damage or personal injury. Retain manual for future reference.

CAUTION: Assemble units as described herein only. To do otherwise may result in table instability. All screws must be tightened securely and checked periodically after assembly. Failure to assemble properly, or to secure parts may result in product damage and/or injury.

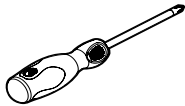



WARNING: Ganged tabletops are very heavy. If using the Table Ganging Brackets on a Flip Top Table, do not attempt to flip the tabletops up or down when the tables are ganged together. Doing so may cause injury and/or damage to your tables.

Under no circumstances does the manufacturer accept warranty or liability claims for damages caused from improper use of the Table Ganging Brackets. Please provide these instructions to any new user or owner of this product.

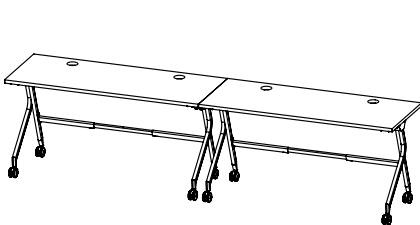
Package Contents

P1 Connecting Bar qty. 2 	P2 Bracket Mount qty. 4 	P3 Threaded-Stud Knob qty. 4 	H1 #8 x 5/8" Flathead Wood Screw qty. 8 
--	---	---	---

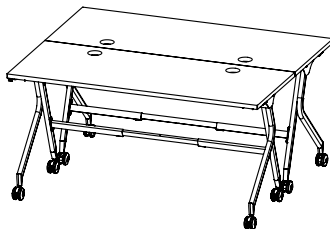
Tools required (not provided)

#2 Phillips Head Screwdriver 	Pencil 	5/64" Drill Bit 	Drill 
--	--	---	---

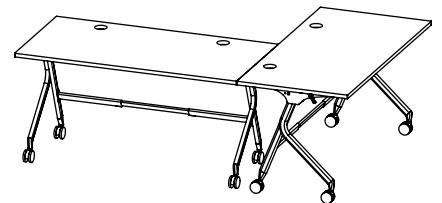
Assembly Instructions



Side to Side Orientation
with Two Ganging Brackets

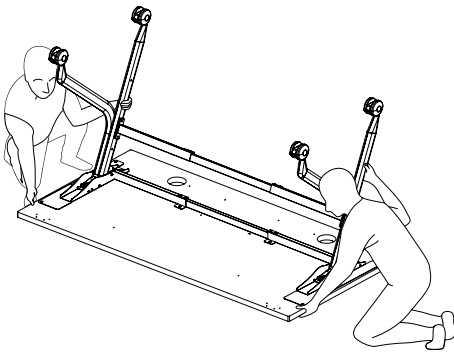
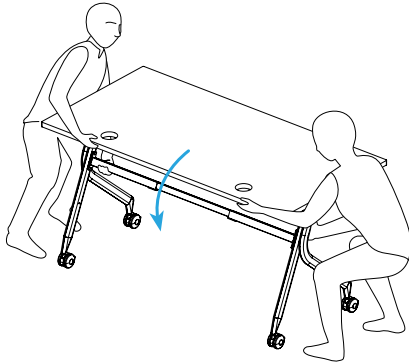
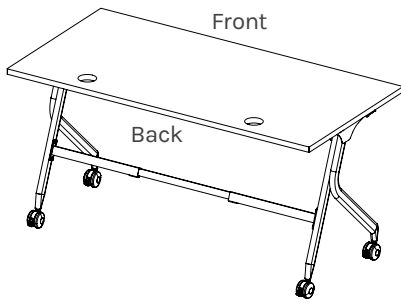


Back to Back Orientation
with Two Ganging Brackets

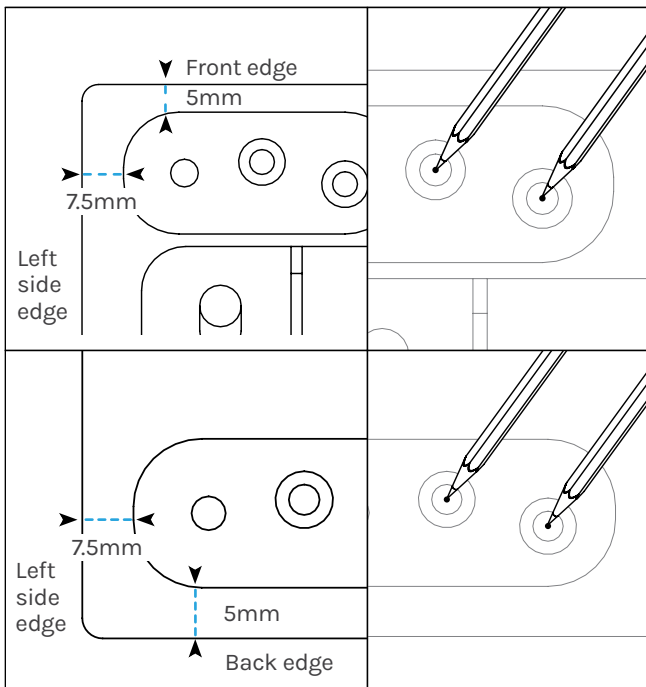


Side to Back (Corner) Orientation
with One Ganging Bracket

Step 1 - Flip Tables Upside Down



- A. For ease and safety, we recommend using two people for assembly.
- B. To avoid any damage to the floor or table, we recommend placing tables on a debris-free carpet or blanket.
- C. If installing onto a Flip Top Table, make sure that the tabletop is locked into the “down” position (the position the table would be in during use).
- D. If applicable, lock all casters to prevent the table from rolling while flipping it over.
- E. With one person located at each end of the table, support the frame and tabletop equally and tilt the table slowly toward the back of the tabletop.
- F. Set the tabletop on its back edge.
- G. Readjust your grip and continue rotating the table until it is upside down with the legs facing up.



Step 2 - Predrill Pilot Holes

Table 1

- A. Position one of the Bracket Mounts (P2) 5mm (3/16”) from the front edge of the tabletop and 7.5mm (5/16”) from the left side edge of the tabletop. Be sure the bracket is oriented with the holes as shown.
- B. Use a pencil to mark the centers of the two countersunk holes of the Bracket Mount indicated by the arrows.
- C. Position the second Bracket Mount 7.5mm (5/16”) from the back edge and 7.5mm (5/16”) from the left side edge. Ensure the bracket is oriented with the holes as shown.
- D. Use a pencil to mark the tabletop in the centers of the two countersunk holes of the Bracket Mount indicated by the arrows.

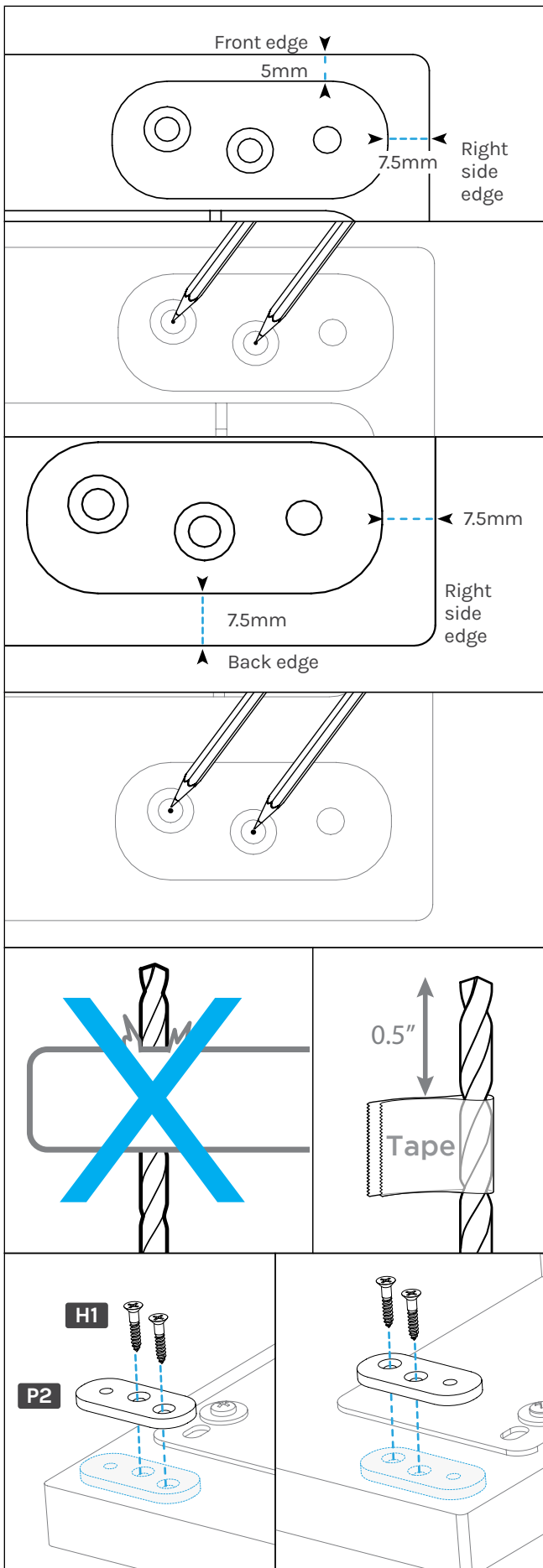


Table 2

- E. Repeat the same steps for Table 1 to attach two Bracket Mounts to the second table on the opposite/right side of the tabletop.

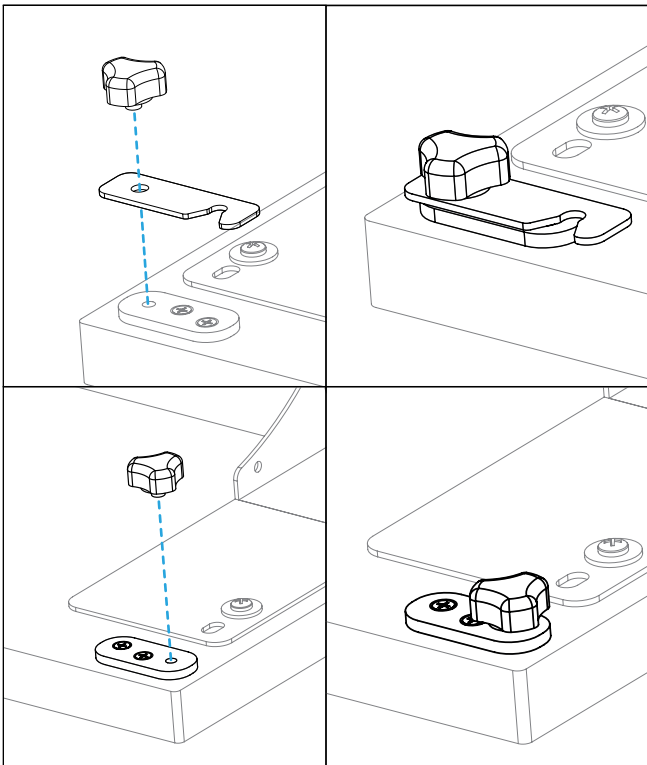
IMPORTANT: Be sure to rotate the brackets on the second tabletop 180° to mirror the orientation of the brackets on the first table. See images for reference.
- F. Position one of the Bracket Mounts 5mm (3/16") from the front edge of the tabletop and 7.5mm (5/16") from the right side edge of the tabletop. Be sure the bracket is oriented with the holes as shown.
- G. Use a pencil to mark the centers of the two countersunk holes of the Bracket Mount indicated by the arrows.
- H. Position the second Bracket Mount 7.5mm (5/16") from the back edge and 7.5mm (5/16") from the right side edge. Ensure the bracket is oriented with the holes as shown.
- I. Use a pencil to mark the tabletop in the centers of the two countersunk holes of the Bracket Mount indicated by the arrows.

Drill pilot holes

- J. **IMPORTANT:** Be careful not to drill through the tabletop surface! For a 1" thick tabletop: drill no deeper than 1/2".
- K. Wrap a piece of tape around the drill bit 1/2" from the tip as shown. Stop drilling just before the tape touches the mounting plate.
- L. Drill pilot holes at the four pencil marks made in the previous steps using a 5/64" drill bit.

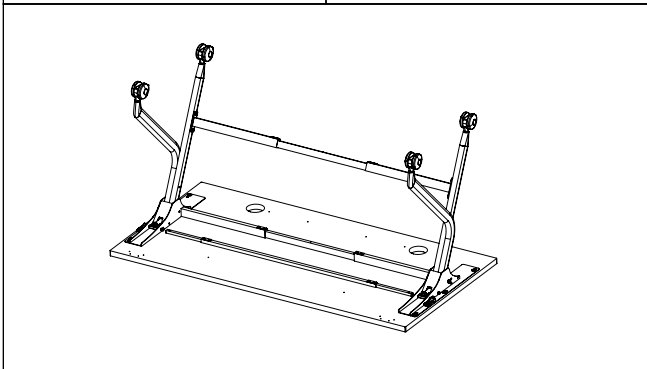
Step 3 - Attach Bracket Mounts

- A. Attach a Bracket Mount (P2) to one of the sets of pilot holes in the first tabletop using two of the #8 X 5/8" Wood Screws (H1).
- B. Start the screws loosely before tightening. Be careful not to overtighten to avoid stripping.
- C. Repeat the steps above to attach the remaining three Bracket Mounts (two for each table).



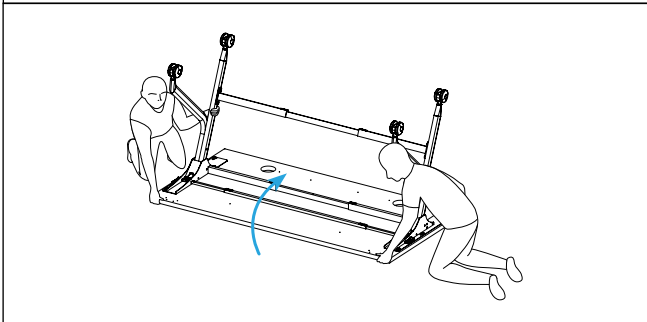
Step 4 - Attach Threaded-Stud Knobs & Connecting Bars

- A. On the first table, align the screw holes of the Connecting Bars (P1) with the holes of the Bracket Mounts (P2), ensuring the opening of each Connecting Bar is facing toward the table edge that will be joined with the other table. Insert and tighten the Threaded-Stud Knobs (P3) to attach. Use a Threaded-Stud Knob to attach a Connecting Bar to one of the Bracket Mounts with the opening of the Connecting Bar facing the mating edge of the table.
- B. On the second table, insert and rotate a Threaded-Stud Knob into each of the Bracket Mounts.
- C. Repeat Steps 1 through 4 for any additional tables you plan to “gang” together before proceeding to Step 5.

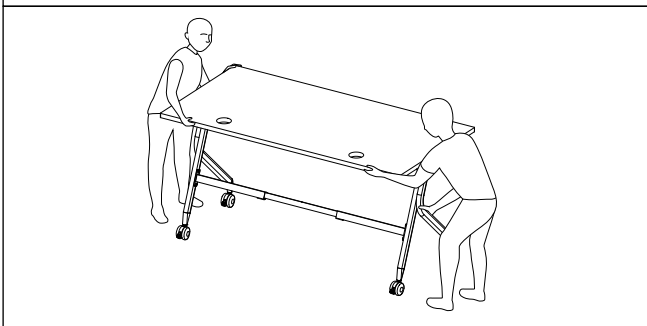


Step 5 - Flip Tables Upright

- A. Ensure the casters are still locked and do not turn.
- B. If installing onto a Flip Top Table, ensure the release levers on the Leg Assemblies are latched to keep the legs locked in the upright position as shown when flipping the table over.



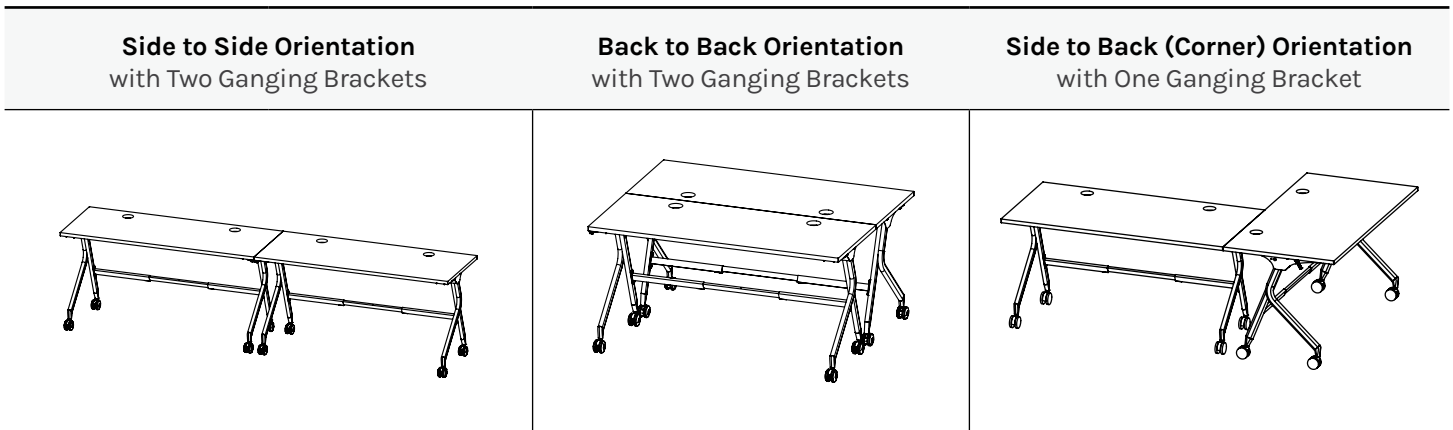
- C. With one person located at each end of the table, support the frame and tabletop equally and tilt slowly toward the back of the table until the back edge of the tabletop is resting on the floor along with the back casters, leveling studs, or feet.



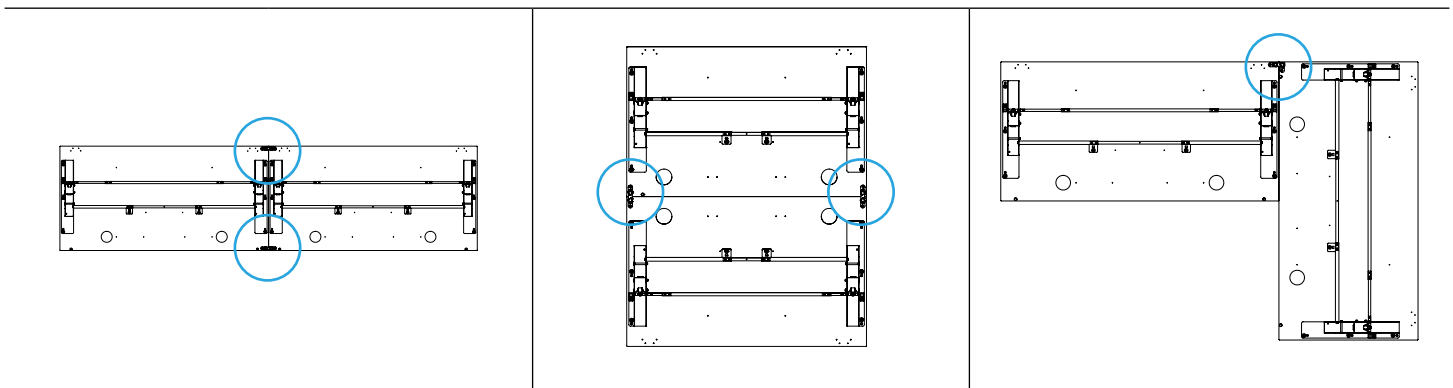
- D. Readjust your grip and continue to rotate the table until it is upright.

Step 6 - Ganging Tables Together

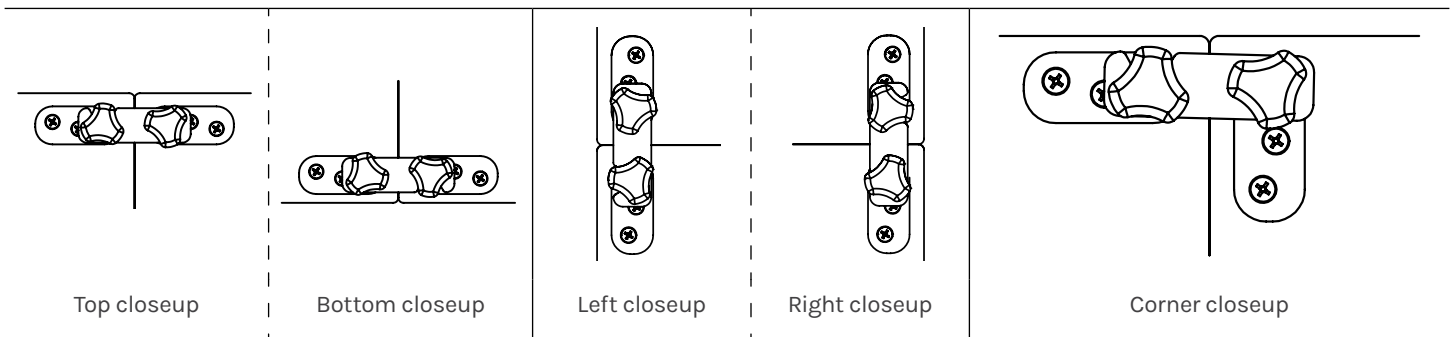
- A. If installing onto a Flip Top Table, ensure the latches on the table frames are engaged and the tabletops cannot be flipped up.
- B. Position the tables in one of the following orientations.



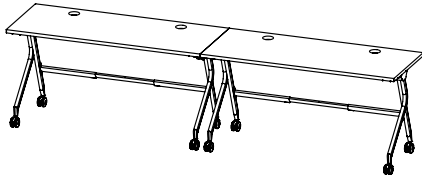
Bottom view of table



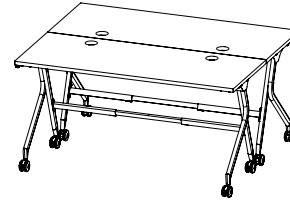
Detailed view



- C. Align the first two tables being ganged together so the table edges are against each other with no gap and the opposing edges are aligned and flush.
- D. Loosen the Threaded-Stud Knob (P3) and rotate the Connecting Bar (P1) so it hooks onto the post of the corresponding Threaded-Stud Knob.
- E. Tighten the Threaded-Stud Knob to lock the Connecting Bar in place.
- F. Repeat the steps above for each Table Ganging Bracket.

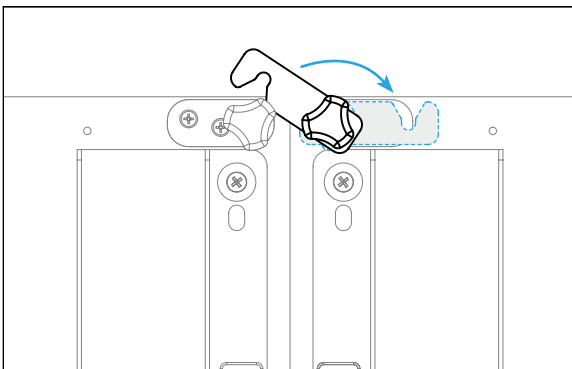


Side to side table connection shown



Back to back table connection shown

Warning: If using the Table Ganging Brackets on a Flip Top Table, do not attempt to flip the tabletops up or down while the tables are ganged together. Doing so may cause injury and/or damage to your tables.



Step 7 - Disconnecting or “Unganging” Tables

- A. Loosen all of the Threaded-Stud Knobs (P3).
- B. Unhook all of the Connecting Bars (P1).
- C. Rotate all Connecting Bars below the underside of the tabletops as shown to prevent them from bumping into anything while the tables are being moved or stored.
- D. Tighten all Threaded-Stud Knobs to prevent them from falling out and to lock the Connecting Bars in place.

UPLIFT DESK[®]

Work Better. Live Healthier

upliftdesk.com

info@upliftdesk.com

800-349-3839

512-614-3152

SAVE THE INSTRUCTIONS

Study this manual carefully. If this product is sold, please provide this manual to the buyer, installers, or support personnel operating the product.



Copyright Notice: This guide is a component of this UPLIFT Desk product. This guide is a part of the scope of delivery, even if the item is resold. This guide is also available on the UPLIFT Desk website: upliftdesk.com. These specifications are subject to United States copyright law.