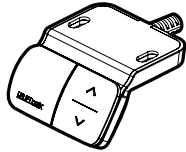


Basic Display Angled Keypad

UPLIFT DESK

FRM072

Package Contents

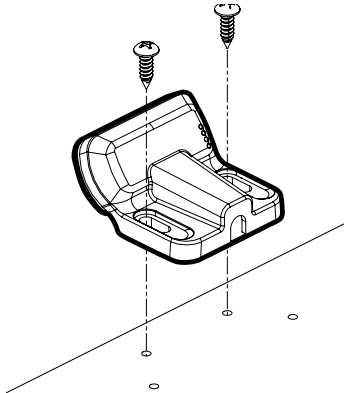


Keypad



(2) #10x5/8" Wood Screws (provided with desk and labeled H14)

Desk shown upside down



Step 1 - Attach Keypad to Desktop


There are keypad attachment holes pre-drilled into UPLIFT desktops. The pre-drilled holes are located on both the left and right sides so you can choose which side of the desktop you'd like to attach the keypad. Note: Typically the desk is upside down when assembling and attaching the keypad, so if this is the case the keypad will be on the opposite side once the desk is flipped upright.

If your desktop doesn't have pre-drilled keypad holes, refer to the **Optional Desktop Drilling Instructions** on the back page.

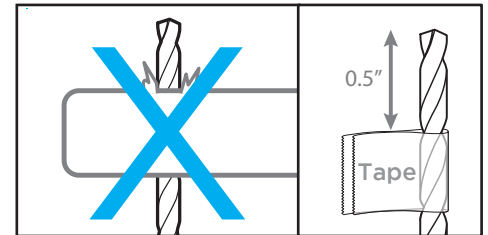
- A. Align the keypad mounting holes with the pre-drilled holes in the desktop.
- B. Being careful not to overtighten the screws to avoid stripping (especially if using a drill to insert the screws), attach the keypad to the desktop with two #10x5/8" wood screws provided with your desk and labeled H14.

Step 2 - Perform Desk Reset Procedure

IMPORTANT: Before using your desk, perform the following Desk Reset to ensure the desk legs are calibrated properly after assembly.

- Hold the DOWN button until the desk reaches its lowest height and then release the button.
- Press and hold the DOWN button again for up to 15 seconds until the keypad display shows , then release the button.
- Press and hold the DOWN button again until the desk lowers slightly then rises slightly. Release the button. If the desk didn't move, try the reset procedure again.
- Your desk is now ready for use!

Optional Desktop Drilling Instructions: If you are using your own desktop or you would like to attach the keypad in a different location than the pre-drilled holes, position the keypad on the desktop and make a pencil mark at the center of each keypad mounting hole. Drill no deeper than 1/2" into the desktop to prevent damaging the desktop surface (we recommend wrapping a piece of tape around your drill bit 1/2" from the tip and stopping just before the tape touches the desktop). Drill pilot holes using a 1/8" drill bit.



Step 3 - Keypad Settings & Programming

Scan the QR code or visit <https://www.upliftdesk.com/desk-assembly-and-programming/> to see Settings and Programming instructions.

Email support@upliftdesk.com with questions | ©2022 UPLIFT Desk®. All Rights Reserved



Safety and Warnings

See the Safety and Warnings listed on the assembly instructions included with your desk frame.

AI-FRM072-1.0

JC #XXXXXX