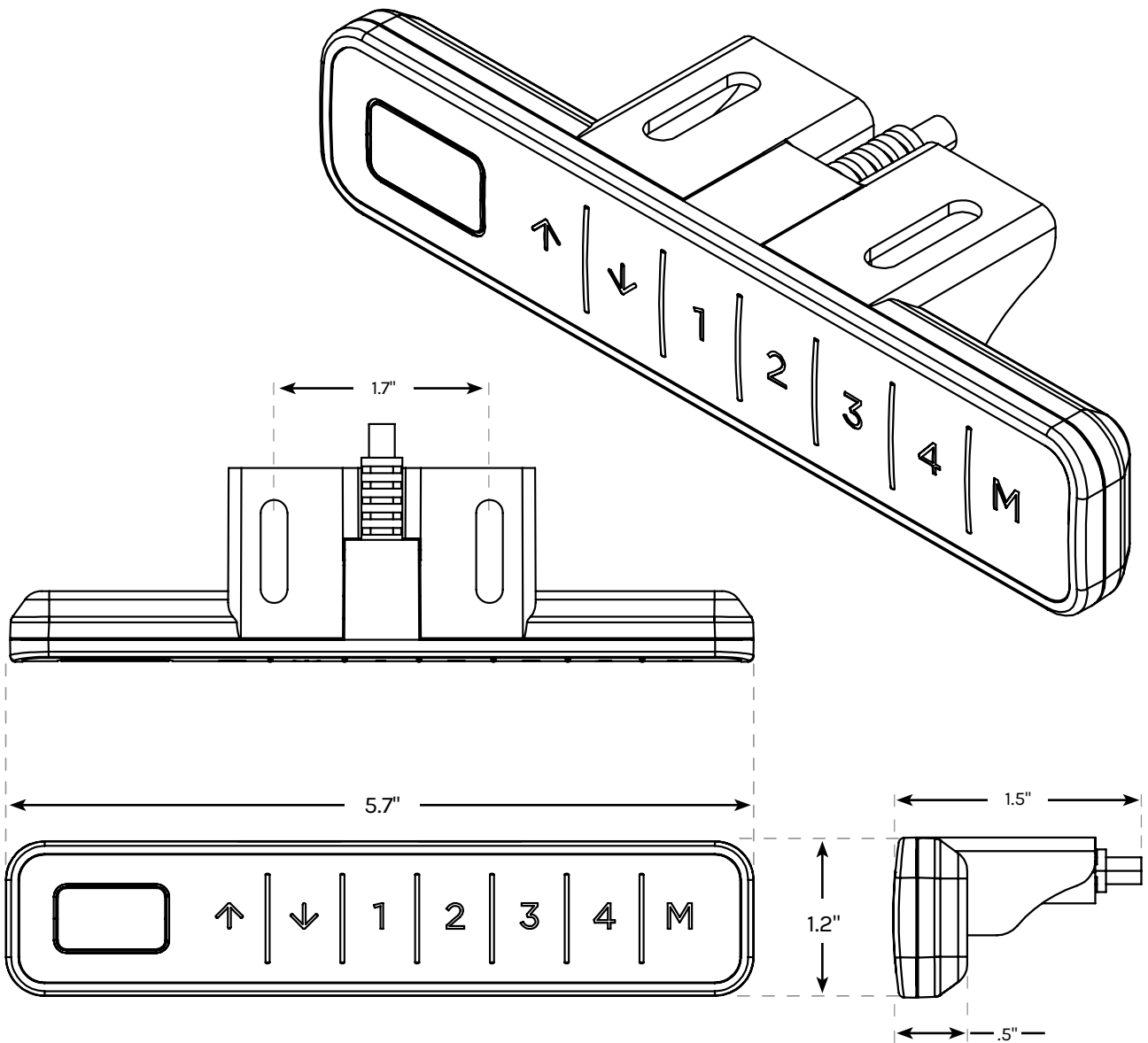



Advanced Comfort Flush Keypad

Specifications

SKU: FRM703



| | |
|---------------------|--------------------|
| Colors | Black, white, gray |
| Cable Length | 77" |
| Housing | Molded ABS plastic |
| Keypad | Molded rubber |
| Warranty | 15 year |

 For technical questions and support call **800-349-3839**, email info@upliftdesk.com, or visit our chat service at upliftdesk.com