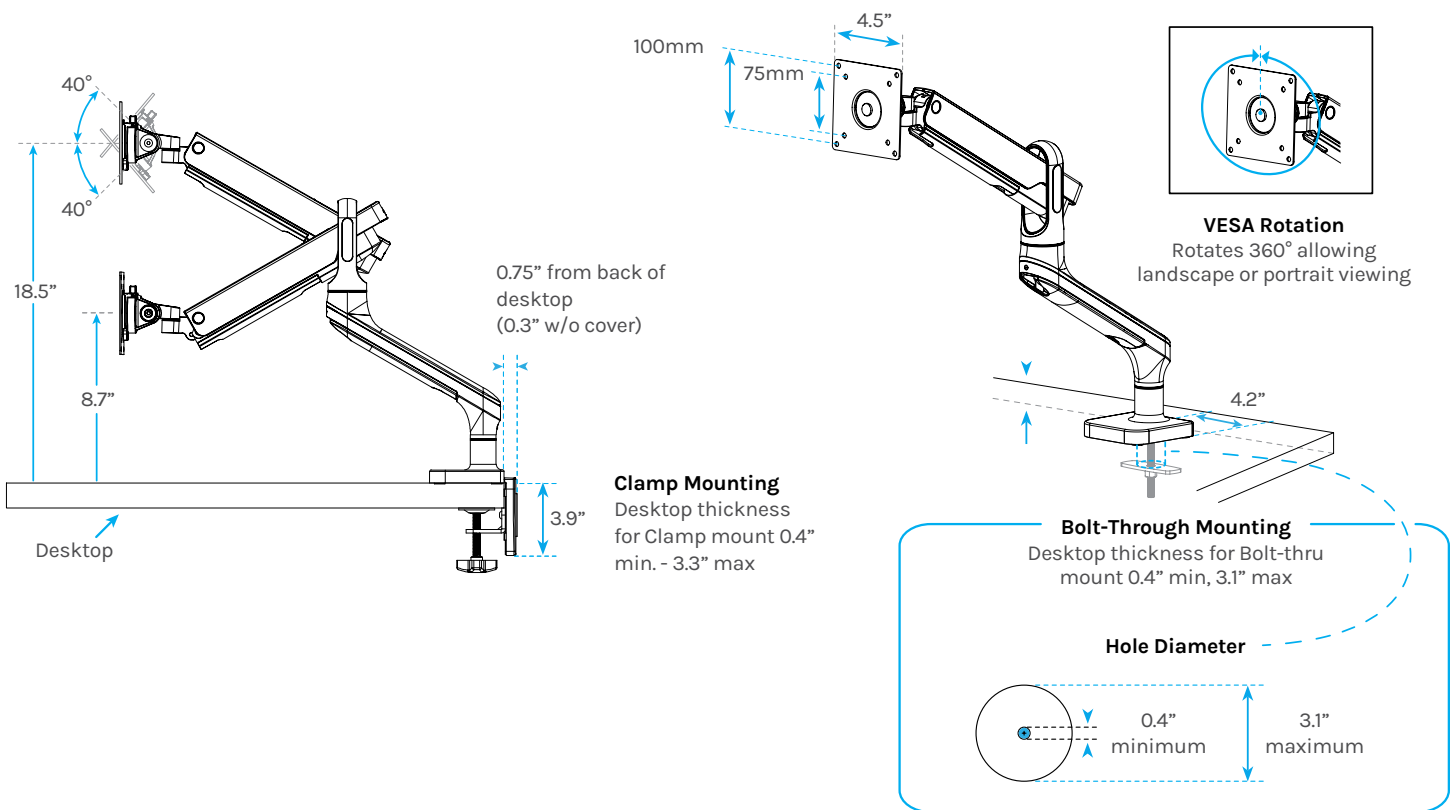


Enfield Single Monitor Arm

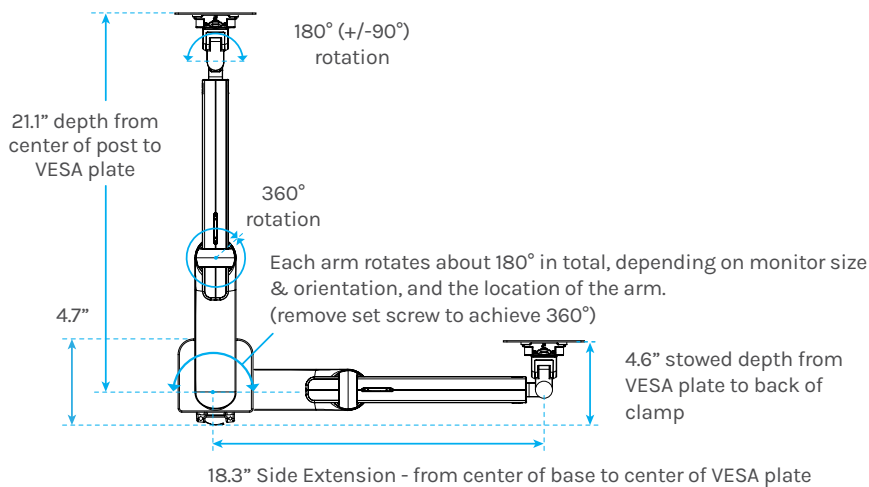
Specifications

MON041

SIDE VIEW



TOP VIEW



Warranty	15 year warranty on all UPLIFT Desk products Warranty page
Height range (low, high)	8.7" - 18.5" high measured from the desk surface to the center of the monitor mount.
Vertical height adjustment	9.8" total height difference from the low to the high.
Monitor weight capacity	4.4 - 19.8 lb. This will accommodate the vast majority of monitors.
VESA compatibility	Included standard 75mm and 100mm quick- release VESA plate Optional 200mm x 100mm VESA plate is available for larger monitors.
Mount & desk thickness compatibility	The hardware for both mounting methods is included. <ul style="list-style-type: none"> • Clamp-On (0.4" - 3.3" desktop thickness) • Bolt-Through (0.4" - 3.1" desktop thickness)
Bolt-through hole diameter	0.4" - 3.1"
Height adjustment mechanism type	Mechanical Spring
Forward reach	21.1" from the center of the vertical post to the VESA plate with the monitor extended directly out towards the front of the desk.
Side extension	18.3" from the center of the post to the center of the VESA plate with the monitor extended directly out to the left or right
Collapsible	4.6"
Swivel of arm at base	360° or 180°. Engage the stopping pin to prevent the monitor arm from pivoting more than 180°.
Monitor tilt range	80° (+/-40°)
Monitor pan range	180° (+/-90°)
Monitor rotation	360°
Monitor arm weight	<ul style="list-style-type: none"> • With Clamp: 6 lb • With Bolt-Through: 5.25 lb
Testing	BIFMA X5.5-2021 for Desk Products
Shipping dimensions & weight	17.5" L x 9.4" W x 5" H, 9 lb



For help with assembly, find our assembly instructions at <https://bit.ly/3Do5Djg>



Copyright Notice: This guide is a component of this UPLIFT Desk product. This guide is a part of the scope of delivery, even if the item is resold. This guide is also available on the UPLIFT Desk website: upliftdesk.com. These specifications are subject to United States copyright law.