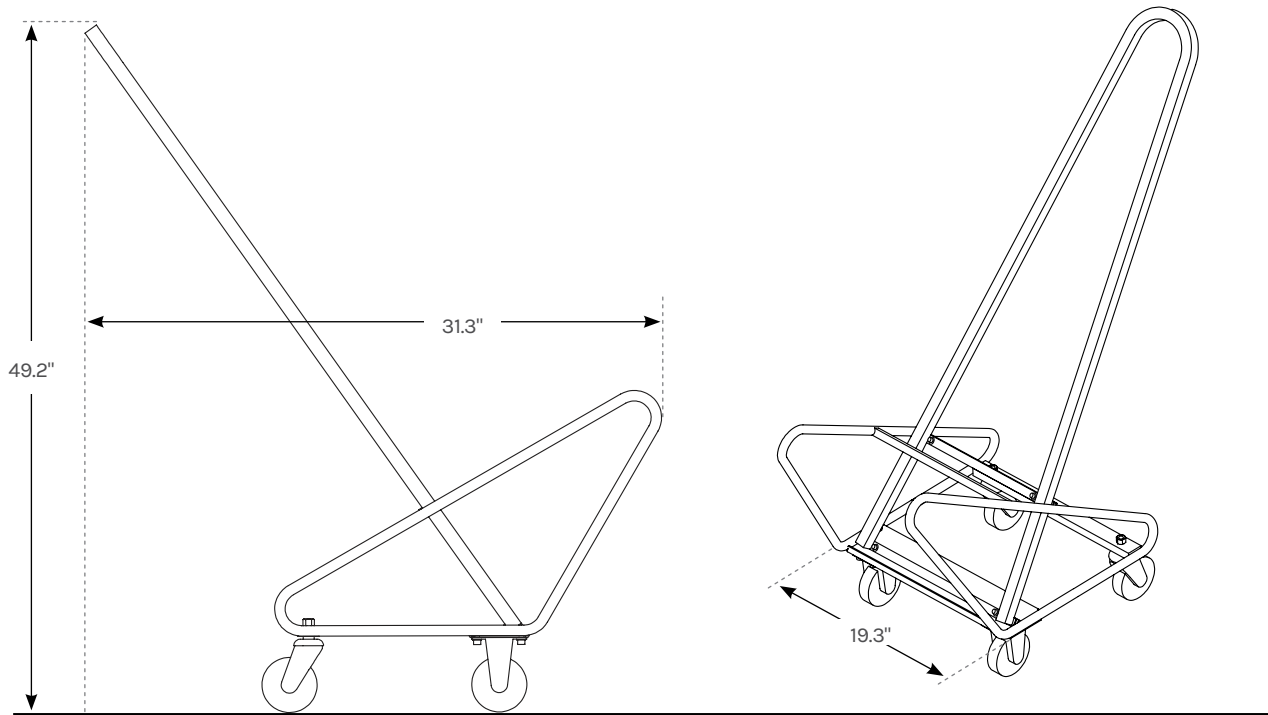


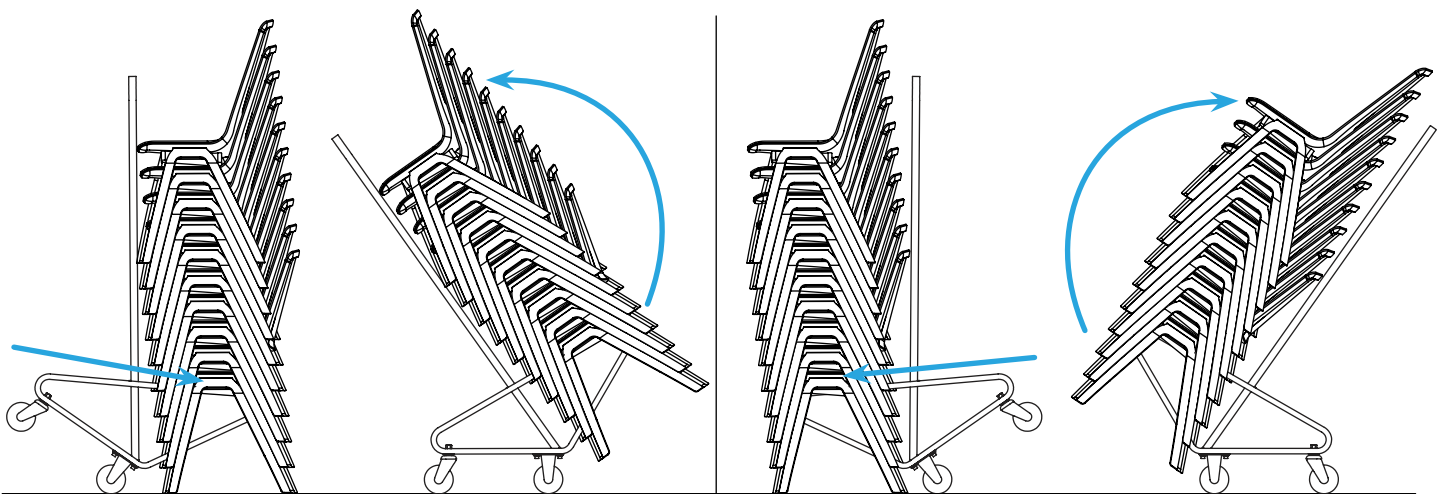
Flex Chair Dolly

ACC074

Specifications



Dolly can be used from either the front or back of the stack.



Warranty	15 year warranty on all UPLIFT Desk products. upliftdesk.com/warranty/
Product dimensions & weight	19.3" W x 31.3" D x 49.2" H (when on all 4 casters), 24.1 lb
Frame material	Welded 16 gauge steel tubing
Wheel material	Polyurethane
Flex Chair capacity	10 Flex Chairs

Weight capacity	220 lb
Finish	Powder coat
Color	Black
Shipping dimensions	Box 1 (dolly base and casters): 28.9" L x 22.8" D x 20.7" H, 23.7 lb
	Box 2 (dolly handle): 53.5" L x 18.3" D x 1.6" H, 8 lb

Copyright Notice: This guide is a component of this UPLIFT Desk product. This guide is a part of the scope of delivery, even if the item is resold. This guide is also available on the UPLIFT Desk website: upliftdesk.com. These specifications are subject to United States copyright law.