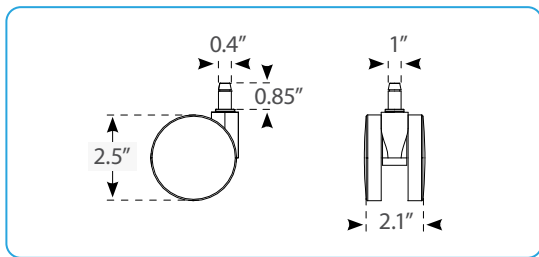
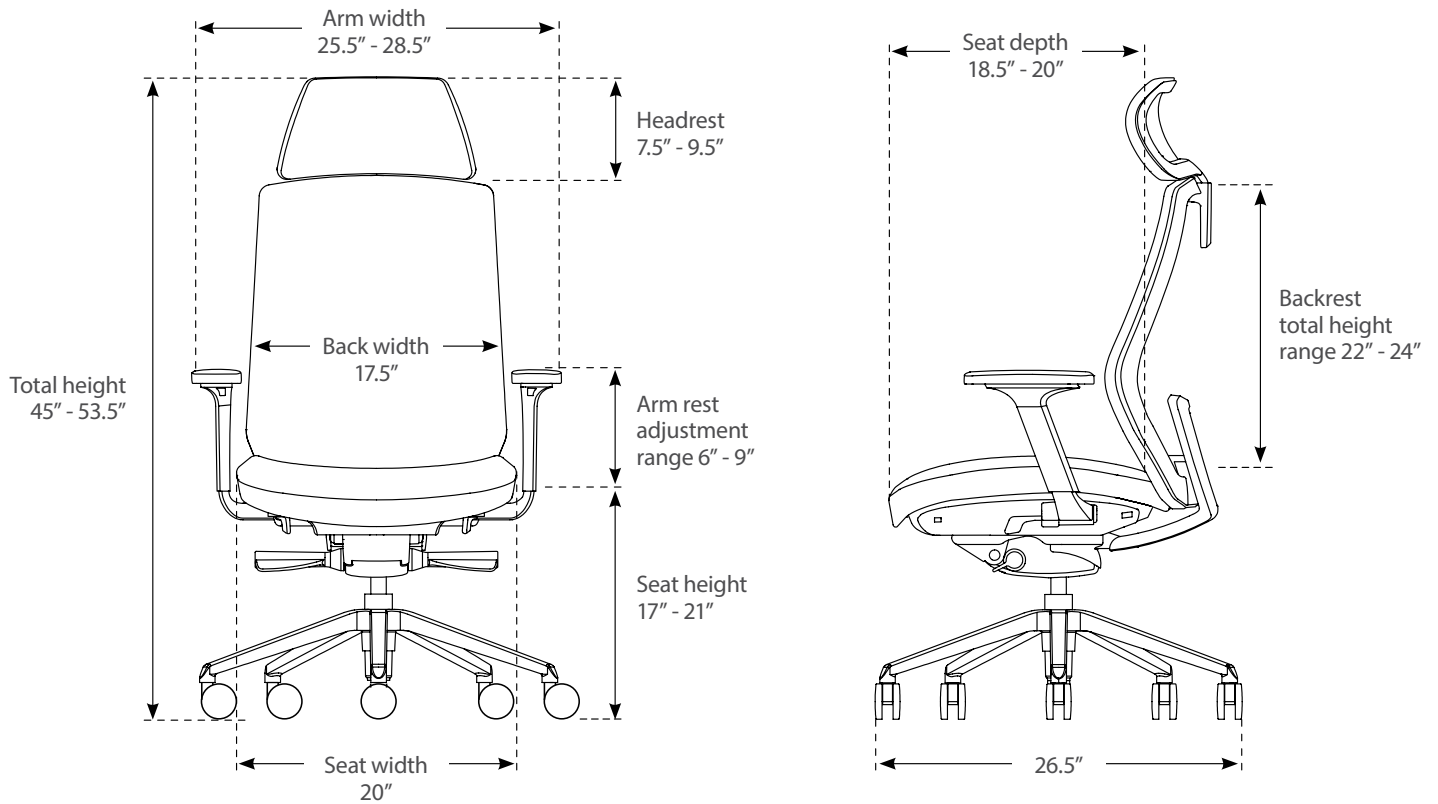


Envoke Ergonomic Chair

CHR469


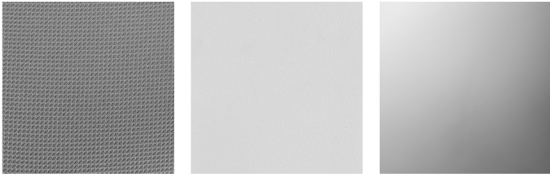
Specifications



Additional Adjustments

- Height Adjustable Headrest
- Synchronized Mechanism
- Three-way Adjustable Armpads
- Height Adjustable Lumbar Support

Warranty	15 Year
Overall dimensions (with optional headrest)	25.5-28.5" W x 26.5" D x 45-53.5" H Overall height of the chair ranges from 45" to 53.5" with 4" of seat height adjustment, 2" of back height adjustment, and 2" of height adjustment with the optional headrest.
Unit weight	Chair: 40.2 lb Optional headrest: 1.6 lb
Weight capacity	300 lb
Seat dimensions	20" W x 18.5-20" D x 17-21" H Seat height ranges from 17-21"

Back dimensions	17.5" W x 22-24" H
Back tilt tension adjust	Auto weight sensing with fine manual tension adjustment
Recline positions	Four locking positions, with up to 30° of recline
Optional headrest height adjustment	2"
Colorways	Black: Black fabric, black plastic, polished aluminum base
	
	White: Gray fabric, white plastic, polished aluminum base
	
Abrasion resistance (Martindale rating)	Fabric and mesh exceed 50,000 cycles
Seat material	3" thick high-density 55 ILD (indentation load deflection) foam
Base	5-spoke, polished aluminum
Certifications	ANSI/BIFMA X5.1-2017 Product Quality Standard for Office Chairs
Shipping dimensions & weight	26.37" W x 15.74" D x 28.74" H, 48.6 lb

Copyright Notice: This guide is a component of this UPLIFT Desk product. This guide is a part of the scope of delivery, even if the item is resold. This guide is also available on the UPLIFT Desk website: upliftdesk.com. These specifications are subject to United States copyright law.