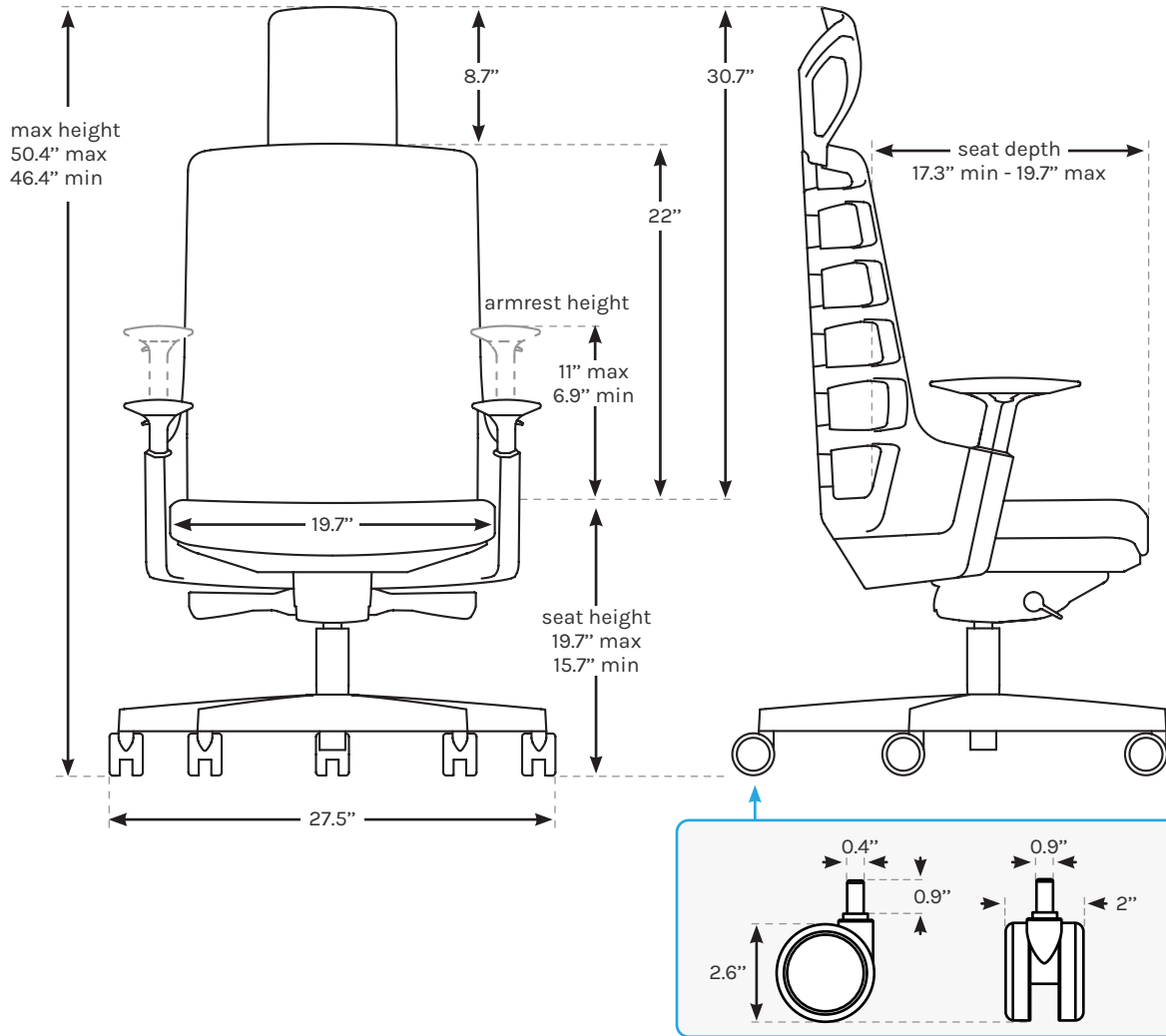


# Vert Ergonomic Office Chair

## Specifications

CHR458



- Meets ANSI/BIFMA X5.1-2017 Standards -

<b>Seat dimensions</b>	19.7" W x 17.3" D x 15.7" to 19.7" H
<b>Seat depth range</b>	17.3" to 19.7" D
<b>Back dimensions</b>	17" W x 22" H
<b>Arm adjustment range</b>	4"
<b>Recline positions</b>	3° positive to 23° positive
<b>Weight capacity</b>	250 lb (113.4 kg)
<b>Colors</b>	Black or white
<b>ANSI/BIFMA X5.1-2017</b>	Meets requirements in sections 5, 6, 7, 8, 9, 10, 11, 12, 14, 15, 16 & 20.
<b>Shipping dimensions &amp; weight</b>	26" L x 17" W x 28" H, 42 lb
<b>Warranty</b>	15 year warranty on all UPLIFT Desk products



Copyright Notice: This guide is a component of this UPLIFT Desk product. This guide is a part of the scope of delivery, even if the item is resold. This guide is also available on the UPLIFT Desk website: [upliftdesk.com](http://upliftdesk.com). These specifications are subject to United States copyright law.