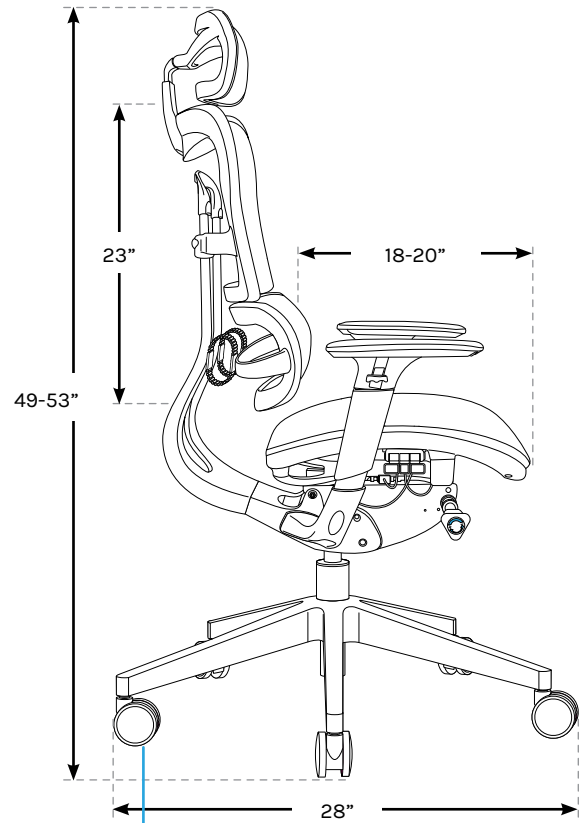
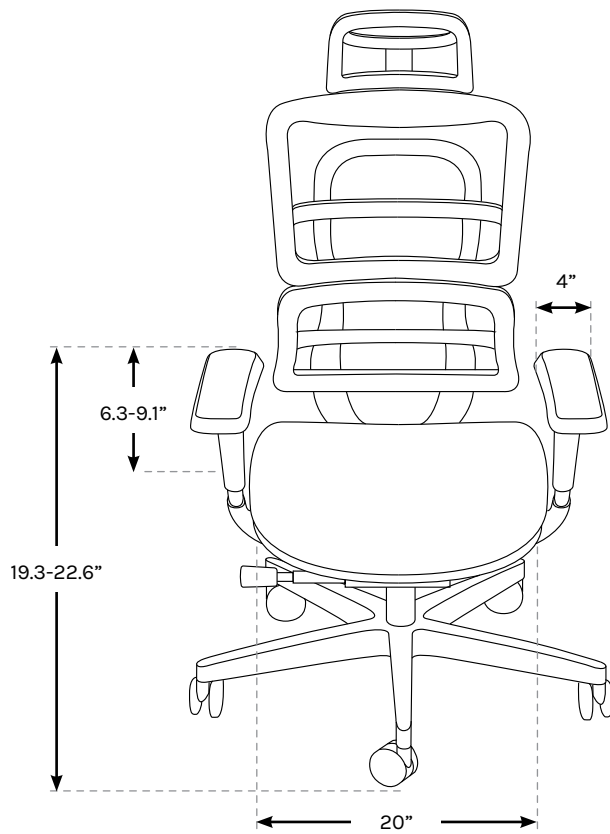





# Intuition Chair

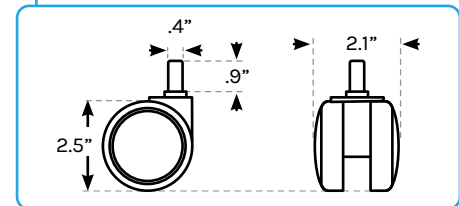
SKU: CHR472

## Specifications



**Additional Adjustments**


-  Free Tilting Headrest
-  3-Way Adjustable Armrests
-  Synchronized Mechanism



<b>Recline positions</b>	Infinite locking positions along 45 degrees of recline
<b>Back Tilt Tension Adjust</b>	Manual
<b>Color</b>	Black
<b>Material</b>	Mesh Seat, Mesh Back, Aluminum Base
<b>Abrasion</b>	Mesh exceeds 250,000 Martindale
<b>Unit Weight</b>	57.32 lbs
<b>Weight Capacity</b>	300 lb (136 kg)
<b>Product Certifications</b>	BIFMA X5.1 2017
<b>Warranty</b>	15 years



For help with assembly, find our assembly instructions at <http://bit.ly/xxxx>

 For technical questions and support call **800-349-3839**, email [info@upliftdesk.com](mailto:info@upliftdesk.com), or visit our chat service at [upliftdesk.com](http://upliftdesk.com)