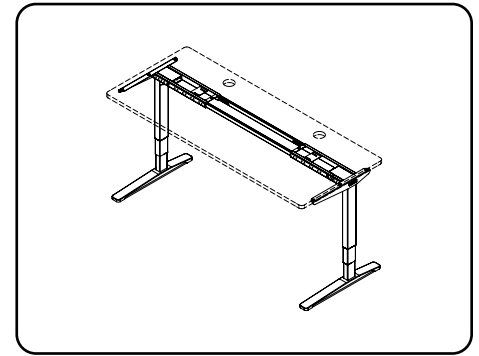
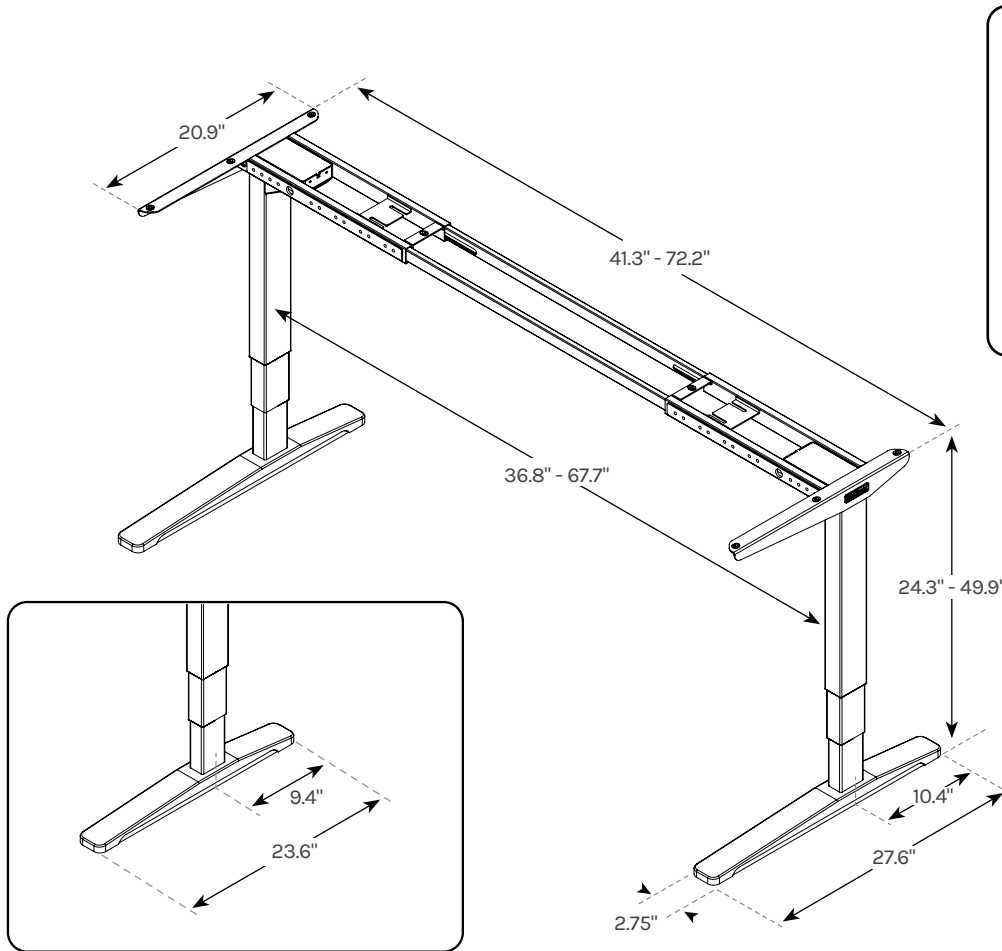


# V2 Standing Desk

F500 (C-Frame)

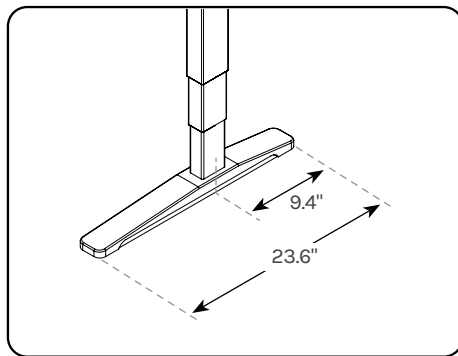
## Specifications



**Pictured:** frame and desktop placement





**Contract-grade  
Quality**





Also available with shorter feet for 24" deep and 120° desktops


Warranty	15 year warranty on all UPLIFT Desk products. <a href="https://upliftdesk.com/warranty/">upliftdesk.com/warranty/</a>
Height range	24.3"-49.9"
Travel speed	2" per second
Noise level	<48 dB
Lifting capacity	355 lbs
Input voltage	100-240V
Output power	400W
Standby power consumption	0.1W
UL listing	US & Canada


 Award winning desk frame


 Patented frame mounting points


 15 year warranty


 Dual motor design with 355 lb lifting capacity

 33% faster & 33% greater height range than 2-stage legs


 Stability brace on each Leg

 Superior anti-collision sensitivity

 Improved stability with 33% larger, precision tolerance legs

 Free wire management included

41.3" - 72.2" width adjustment

 Energy efficient & whisper quiet

Meets ANSI/BIFMA X5.5-2021 Desk & Table Products standard for safety, durability, and structural performance

Copyright Notice: This guide is a component of this UPLIFT Desk product. This guide is a part of the scope of delivery, even if the item is resold. This guide is also available on the UPLIFT Desk website: [upliftdesk.com](https://upliftdesk.com). These specifications are subject to United States copyright law.