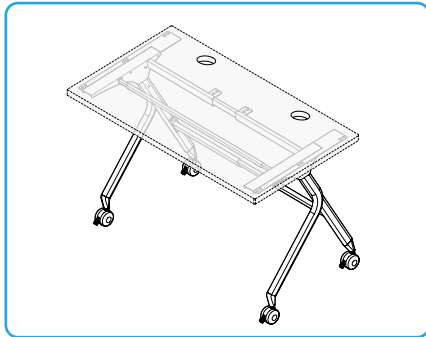


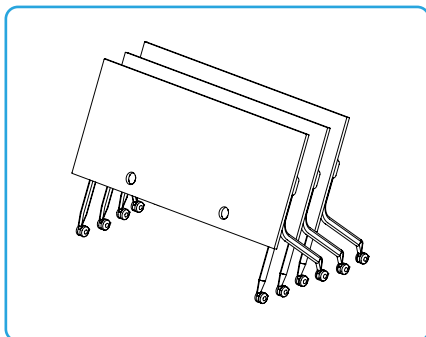
# Flip Top Table

FRM067

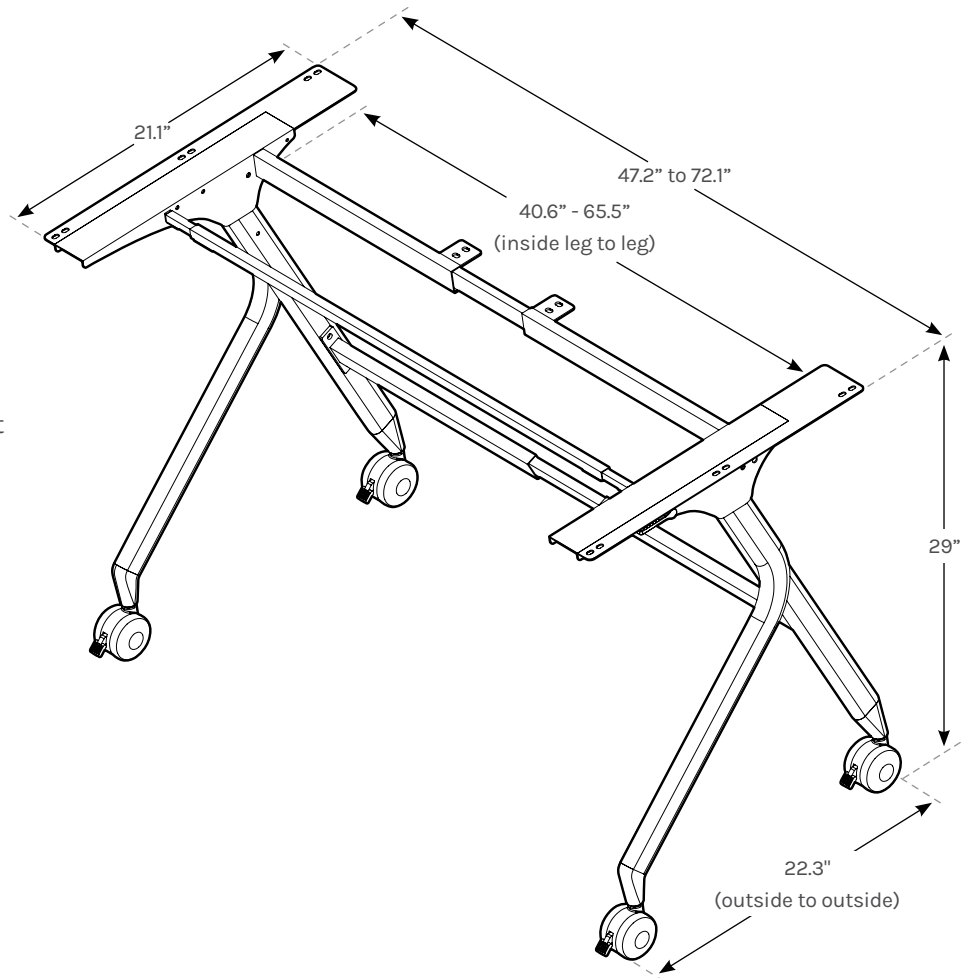
## Specifications



**Pictured:** frame and desktop placement



When not in use, flipped-up tables can slide together to be stored.



Product dimensions & weight	47.2" to 72.1" W x 22.3" D x 29" H, 28.8 lb (plus tabletop weight)
Frame construction	Steel
Finish	White powder coat
Compatible tabletop widths	48", 60", 72", or 80"
Tabletop depths	24" or 30"
Folding mechanism	Spring-loaded release lever on each side of frame
Casters	Black, dual wheel, locking
Footprint	When in use, the Flip Top Table will take up the amount of space determined by the tabletop size selected, for example: 60" wide by 30" deep. When stowed, the first Flip Top Table uses 22.3" of floor space and each additional nested table uses 7.6" of space.
Shipping dimensions & weight	30" L x 25.2" W x 6" H, 33 lb
Warranty	15 year

Copyright Notice: This guide is a component of this UPLIFT Desk product. This guide is a part of the scope of delivery, even if the item is resold. This guide is also available on the UPLIFT Desk website: [upliftdesk.com](http://upliftdesk.com). These specifications are subject to United States copyright law.