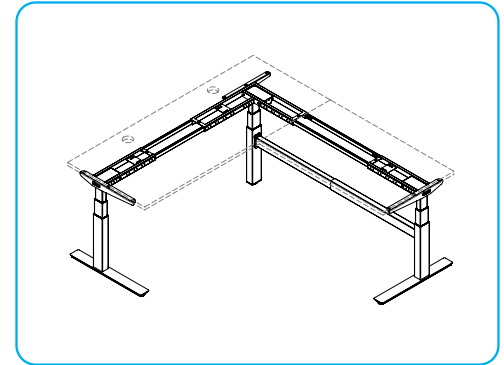
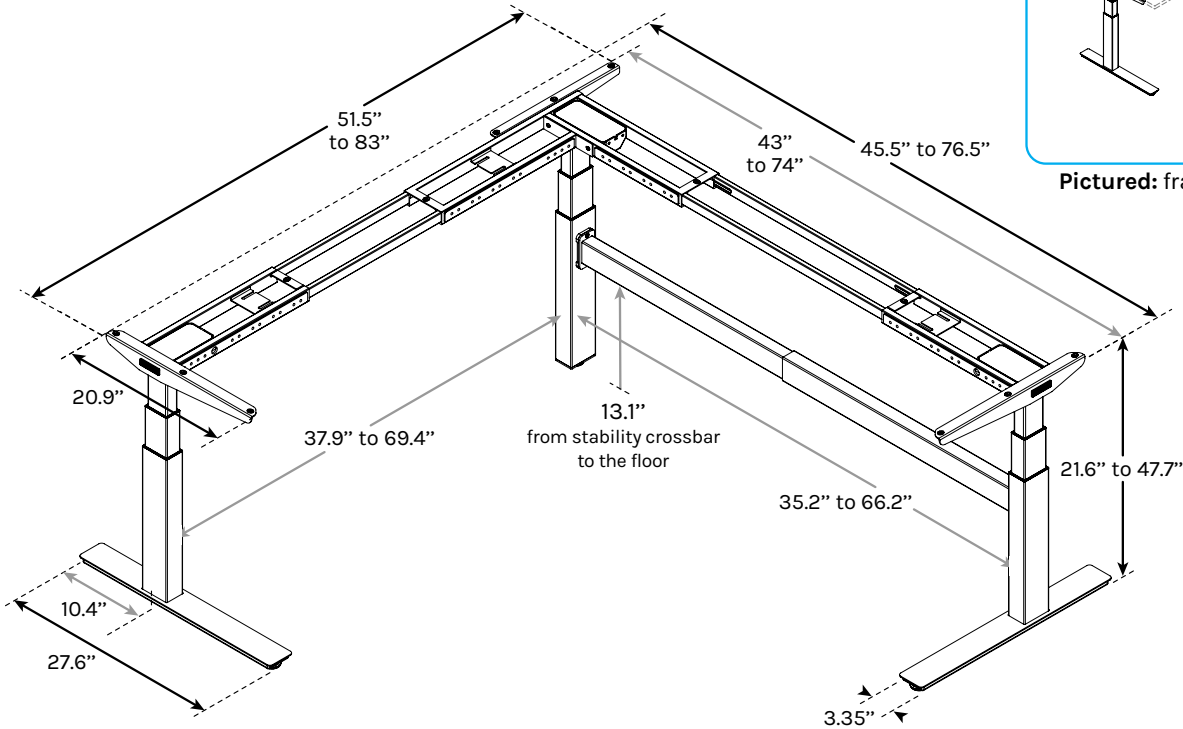


# UPLIFT V2-Commercial L-Shaped Standing Desk Frame

## Specifications

SKU: FRMA-3



Pictured: frame and desktop placement



**Contract-grade  
Quality**

<b>Height Range</b>	21.6"-47.7"
<b>Travel Speed</b>	1.57"/second
<b>Noise Level</b>	50 dB
<b>Lifting Capacity</b>	535 lbs
<b>Current</b>	5 amps max (during movement)
<b>Voltage Input</b>	100-120Vac, 50/60Hz, 500W max
<b>Warranty</b>	15 year

**BIFMA** Meets BIFMA G1-2013 Height Standard



Triple Motor Design



3-Stage Legs Are 33% Faster Than 2-Stage Legs



Superior Anti-Collision Sensitivity



88 Accessory Mounting Points



Stability Crossbar



Improved Stability with 33% Larger, Precision Tolerance Legs



Whisper-Quiet Adjustment



Included Under-Desk Wire Management



Available in 4 Color Options

**BIFMA** Meets BIFMA X5.5-2014 Durability Standard



For help with assembly, see our assembly video at [upliftdesk.com/3leg-com-lshp](https://upliftdesk.com/3leg-com-lshp)

For technical questions and support call 800-349-3839, email [info@upliftdesk.com](mailto:info@upliftdesk.com), or visit our chat service at [upliftdesk.com](https://upliftdesk.com)