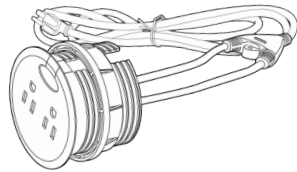


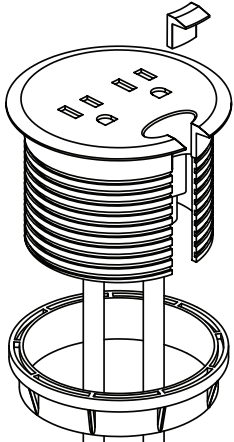
UPLIFT DESK[®] Power Grommet

PDC002



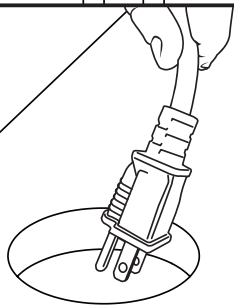
Transform any 80mm desktop grommet into two power outlets with the UPLIFT Desk Power Grommet.

Outlets: 2
A/C Rating: 120 V, 10 A
Cord Length: 58"



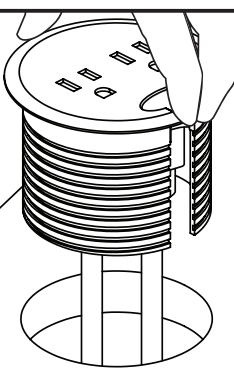
Step 1

Before inserting Power Grommet into the grommet hole, remove the locking tab and unscrew the locking ring, and set them aside. If you have other cables you want to run through the grommet, insert them now.



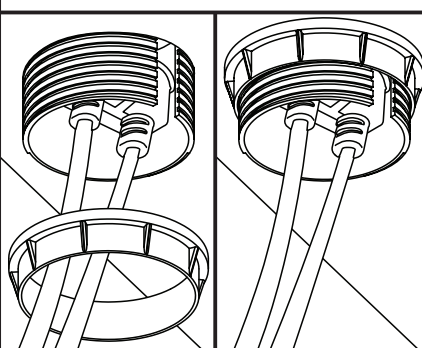
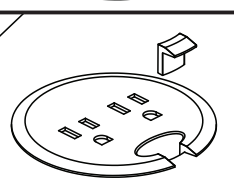
Step 2

Feed power cord through the grommet hole until the full length of the cord has passed through.



Step 3

Insert the Power Grommet into the grommet hole and press until it fits snugly.



Step 4

When in place, re-insert the locking tab. Under the desk, re-attach the locking ring by screwing it back on. Plug the power cord into a wall outlet or other power source. The UPLIFT Desk Power Grommet is ready for use!



CAUTIONS & WARNINGS



CAUTION: Read all instructions before assembly. Failure to assemble properly may result in damage or personal injury.



CAUTION: To avoid overheating and possible damage to this product and other equipment, do not use to control a device which exceeds the designed ratings.



CAUTION: This product must be installed and/or used in accordance with the appropriate electrical codes and regulations.



WARNING: Avoid getting any liquid on the unit, as it can cause shock & fire. If unit gets wet, disconnect the power at the circuit breaker, fuse or outlet. Ensure the unit is completely dry before connecting this product to a power source.



WARNING: Power Grommet maintenance should be performed by qualified personnel only. Hazardous voltages are present inside the unit during operation. Please be sure to follow all electrical safety precautions when servicing this unit. Unit should be disconnected from all power sources prior to servicing to reduce the risk of electrical shock.



CAUTION: The UPLIFT Desk Power Grommet needs a path to ground to work properly, and should only be plugged directly into a grounded outlet. Using any extension cord in conjunction with an UPLIFT Desk Power Grommet will void all UPLIFT warranties. All connected equipment should be plugged directly into your UPLIFT Power Grommet.