



Government Solutions

by [UPLIFT](#)DESK





**“ Great work starts
with a well-functioning
workspace. ”**

At UPLIFT Desk, we've been designers and purveyors of comfortable, healthy work since 2002. When we couldn't find a perfect height-adjustable standing desk, we decided to make our own. Our award winning standing desks are rated #1 on Wirecutter, TechRadar, and others. We also design ergonomic chairs and stools, monitor arms, keyboard trays, file cabinets, power/data rails, acoustic/privacy solutions, task lighting, and many other office furniture accessories. Our mission has remained the same: to help every person stay healthy, happy, and productive when they work.

Whether your work happens in a home office, cubicle, or C-suite, you can benefit from our quality ergonomic office furniture that adapts to your unique needs and style. With our reliable team of experts here to help you piece together workstations that keep you and your employees healthy, you can rest assured that knowledgeable professionals are standing behind you every step of the way with an industry-leading warranty to back up every product. We are that team, we're here for you, and we're excited to help you build the office you've always known you needed.



A Healthier, Happier, More Productive Work Environment Starts Here

Let us create an ergonomic solution for you and your team.

At UPLIFT Desk, we understand that your office needs are as individual as each user. Let us create an ergonomic solution for your team. From private offices to open floor plans, we'll be with you every step of the process. As your partner, we offer free delivery, design planning services, a 30-day trial with free return shipping, and a 15-year warranty on most products.

As the top-ranked standing desk on Wirecutter since 2019, UPLIFT Desk is proud to provide industry-leading ergonomic furniture and accessories to federal, state, and local government agencies and organizations throughout the U.S. We have ergonomic solutions for any office, including those with ANSI/BIFMA standard requirements. From office design and product selection, to delivery or installation, our friendly and knowledgeable experts will be there to guide you. Turning your space into a flexible office can help your employees be more productive and healthier throughout the day. Give your team members what they need to do their best work.



FAST, FREE SHIPPING



15 YEAR WARRANTY



FREE RETURNS + FREE SHIPPING



AWARD WINNING QUALITY

Federal Government Capabilities Statement

UPLIFT Desk (a division of Square Grove LLC)
 Corporate HQ: 1848 Ferguson Ln Building 1, Austin, TX 78754
 Factory: 9104 Cameron Rd, Austin, TX 78754
 Work Area: United States

Company Overview

UPLIFT Desk designs best-in-class height-adjustable desks, desk converters, ergonomic chairs, and desk accessories that help people work better and live healthier. We offer forward-thinking solutions to support businesses and their employees. No matter what size organization you have, building a space that fits to the user is crucial for maintaining health, focus, and comfort at work.

Products

- Adjustable Height Desk Frames
- Sustainable Desktop Options
- Standing Desk Converters
- Ergonomic Chairs and Stools
- Monitor Arms and Laptop Holders
- Keyboard Trays and CPU Holders
- Anti-fatigue Mats
- Lighting
- Power and Data Systems
- Storage and Organization
- Flexible Office Layouts
- Ergonomic Services

Differentiators

- Office Design Consulting & Space Planning
- Owner is a Certified Professional Ergonomist (CPE)
- Expert Customer Service and Support
- Product Quality Control
- Competitive Pricing
- Focus on Sustainability and Environment
- Subject Matter Experts in Ergonomics

Major Clients

- Google
- NASA
- Boeing
- NPR
- NBC
- Intel
- AT&T
- MIT
- Chevron
- Amazon
- Cornell University
- American Airlines
- Hewlett-Packard
- Univ. of Texas - Austin
- Univ. of California - Berkeley

Federal Government Customers

- U.S. Department of State
- U.S. Department of Defense
- U.S. Army
- Veterans Affairs Health Care System
- U.S. Air Force Academy
- U.S. Coast Guard
- FBI
- Eglin AFB
- Langley AFB
- Peterson AFB
- Fort Meade AFB
- Grand Forks AFB

Contact Information

UPLIFT Desk
 512-614-3152
 800-349-3839 (toll free)
 info@upliftdesk.com

Company Snapshot

CAGE Code:	3LLX9
DUNS #:	137576380
ORCA Registration:	Completed as Square Grove
Federal Tax ID#:	20-0715079
GSA#:	47QSCA18D000W
SIC Codes:	
2522	Office Furniture
5021	Furniture
NAICS Codes:	
334516	Analytical Laboratory Instrument Manufacturing
337214	Office Furniture (except Wood Manufacturing)
423420	Office Equipment Merchant Wholesalers
423430	Computer and Computer Peripheral Equipment and Software Merchant Wholesalers
423440	Other Commercial Equipment Merchant Wholesalers
442110	Furniture Stores
453210	Office Supplies and Stationery Stores
541690	Safety Consulting Services
PSC/FSC Codes:	
3920	Material Handling Equipment, Nonself-propelled
3990	Miscellaneous Materials Handling Equipment
5965	Headsets, Handsets, Microphones, and Speakers
6530	Hospital Furniture, Equipment, Utensils, And Supplies
7110	Office Furniture
7520	Office Devices And Accessories

Past Performance

- Department of Energy - DOE
Ergonomic Desks and Accessories DE-NA0003773
- Department of Energy - DOE
Stand/Sit Adjustable Desk DE-FE0030335
- Department of Interior -
USGS Adjustable Desks G16PX01018
- Department of Interior -
USGS Sit Stand Desks G16PX00834





60" x 30" Rubberwood Standing Desk

Table of Contents

Standing Desks	5
Bundles	6
Desktops	7
Bundle Accessories	8
Accessories	9
Desk Accessories	10
Acoustic Panels and Modesty Panels	11
Wire Management Modesty Panels	13
Casters	14
Seating	15
Storage	16
Desk Drawers and Storage	17
Filing Cabinets	19
MoPac Cabinet	20
MoPac Wardrobe	21
Standing Desk Converter	22

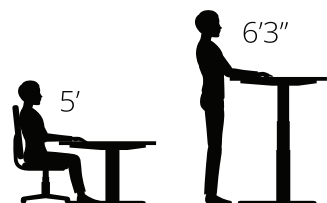
Standing Desks

Our GSA-approved standing desks deliver BIFMA-certified stability and an extensive height range, promoting wellness and increasing focus across federal workstations.

Standing desks provide the flexibility to alternate between sitting and standing throughout the work-day, helping maintain energy levels and reducing physical strain from sitting for extended periods.



60" x 30" Rubberwood Standing Desk



Our V3 frames meet and exceed BIFMA X5.5-2021 ratings for Stability, Strength, Durability

In addition, they also meet the ANSI/BIFMA G1-2013 HEIGHT standard



355-lb Lifting Capacity

Power to handle the heaviest of setups with capacity to spare



Rock-Solid Stability

Increased stability with tighter tolerance between telescoping leg stages



Under-Desk Cable Management

Keeps your cords tidy & organized with the included FlexMount Cable Manager



41.3"-72.2" Width Adjustment

Frame expands to fit our 42"-80" desktop sizes



3-Stage Legs

33% faster and 33% greater height range than 2-Stage legs



Two-Motor Design

Stronger, faster, more reliable, and quieter



48 Mounting Points

Patented system that lets you connect accessories directly to your desk frame



Superior Anti-Collision Sensitivity

Detects light resistance and stops motion to prevent injury or damage



Award-Winning Quality

Designed for commercial-level use and constructed from highly durable materials



Three Frame Colors

Choose from black, white, and gray frame colors



Energy Efficient

One desk uses less than \$1 of energy per year

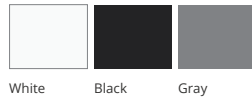


Whisper-Quiet Operation

Quiet <48-dB operation avoids disruption

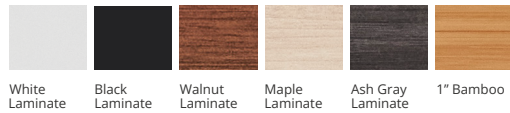
Standing Desk Bundles

FRAME POWDER COAT CHOICES



Level 1 Desktops

DESKTOP STYLES & SIZES



- GUPL11-V3-48X30 - 48" x 30" Standard Desktop
- GUPL11-V3-60X30 - 60" x 30" Standard Desktop
- GUPL11-V3-72X30 - 72" x 30" Standard Desktop
- GUPL11-V3-80X30 - 80" x 30" Standard Desktop
- GUPL12-V3-48X30 - 48" x 30" Standard Desktop
- GUPL12-V3-60X30 - 60" x 30" Standard Desktop
- GUPL12-V3-72X30 - 72" x 30" Standard Desktop
- GUPL12-V3-80X30 - 80" x 30" Standard Desktop
- GUPL13-V3-48X30 - 48" x 30" Standard Desktop
- GUPL13-V3-60X30 - 60" x 30" Standard Desktop
- GUPL13-V3-72X30 - 72" x 30" Standard Desktop
- GUPL13-V3-80X30 - 80" x 30" Standard Desktop

Level 1 Accessories

- » Advanced Keypad
- » Magnetic Cable Channel
- » 8-Outlet Mountable Surge Protector
- » Compact Desk Drawer
- » Wire Grommets
- » Set of 4 Casters
- » Desk Mat
- » Motion Board

Level 2 Accessories

- » All Accessories from Level 1
- » One Power Grommet
- » Crestview Single Monitor Arm with Wiring Kit
- » Rear & Side Acoustic Privacy Panels with Corners

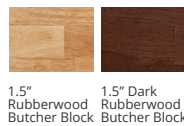
Level 3 Accessories

- » All Accessories from Level 1 & 2
- » Additional Power Grommet
- » Additional Crestview Single Monitor Arm with Wiring Kit
- » DuoMount Power Strip
- » 2-Drawer File Cabinet
- » Sliding Flex Lamp



Level 2 Desktops

DESKTOP STYLES & SIZES



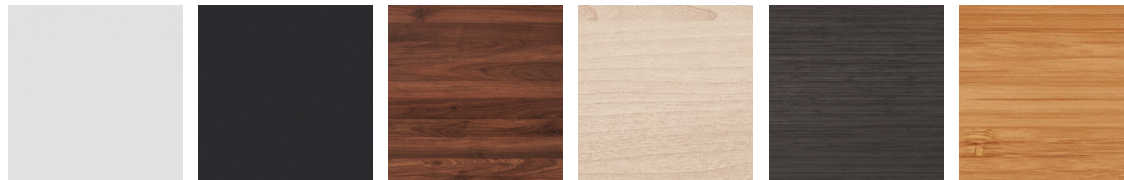
- GUPL21-V3-48X30 - 48" x 30" Standard Desktop
- GUPL21-V3-60X30 - 60" x 30" Standard Desktop
- GUPL21-V3-72X30 - 72" x 30" Standard Desktop
- GUPL21-V3-80X30 - 80" x 30" Standard Desktop
- GUPL22-V3-48X30 - 48" x 30" Standard Desktop
- GUPL22-V3-60X30 - 60" x 30" Standard Desktop
- GUPL22-V3-72X30 - 72" x 30" Standard Desktop
- GUPL22-V3-80X30 - 80" x 30" Standard Desktop
- GUPL23-V3-48X30 - 48" x 30" Standard Desktop
- GUPL23-V3-60X30 - 60" x 30" Standard Desktop
- GUPL23-V3-72X30 - 72" x 30" Standard Desktop
- GUPL23-V3-80X30 - 80" x 30" Standard Desktop



Desktops

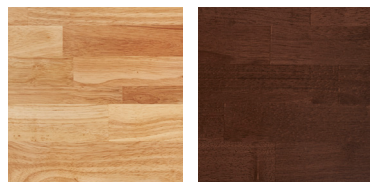
We offer a complete range of desktop materials, including resilient laminates, sustainable bamboo, and elegant butcher block for a classic, durable look. Find the perfect desktop to meet your government requirements.

Level 1 Desktops



White Laminate (1" thick) Black Laminate (1" thick) Walnut Laminate (1" thick) Maple Laminate (1" thick) Ash Gray Laminate (1" thick) Bamboo (1" thick)

Level 2 Desktops



Rubberwood Butcher Block (1.5" thick) Dark Rubberwood Butcher Block (1.5" thick)



60" x 30" Dark Rubberwood Standing Desk

Bundle Accessories

Level 1 Accessories



Advanced Keypad



Wire Grommets



Set of 4 Casters



Magnetic Cable Channel



8-Outlet Mountable Surge Protector



Compact Desk Drawer



Desk Mat



Motion Board



Level 2 Accessories



One Power Grommet



Crestview Single Monitor Arm with Wiring Kit



Rear & Side Acoustic Privacy Panels with Corners



Level 3 Accessories



Additional Power Grommet



DuoMount Power Strip



2-Drawer File Cabinet



Additional Crestview Single Monitor Arm with Wiring Kit



Sliding Flex Lamp



Accessories

A desk without accessories is just a table. The right tools transform it into a workstation that balances comfort with efficiency. Essential additions like adjustable keyboard trays, footrests, and organization solutions sustain your energy over long hours. Curating your setup with purposeful tools creates a seamless environment where form meets function, allowing you to work smarter with greater ease.



60" x 30" Light Rubberwood Standing Desk

Desk Accessories

E3 Adjustable Footrest

Your feet need a little extra support and tilt from time to time. The E3 Adjustable Footrest aims to change things, with benefits like better circulation, fewer cramps in your legs and feet, and more ideal ergonomic seating positions, all thanks to one little addition underneath the desk.



Details	Color	Dimensions	SKU
<ul style="list-style-type: none"> Adjustable to 4 different angled positions Rubber grooved top surface grips shoes 	<ul style="list-style-type: none"> Black 	15.7" L x 13.7" D x 3.2" H	ACC019

CPU Holder

Keep your desktop clear and cords in position with a CPU holder on your setup. Raise and lower your desk without worrying about pulling or tugging on your computer cables.



Details	Color	Dimensions	SKU
<ul style="list-style-type: none"> 360 degree swivel mechanism allows for quick adjustments and access to ports Supports CPUs up to 50 lbs 	<ul style="list-style-type: none"> Black 	8.25" W x 20" H x 16" D	CPU128

Clamp-On Cup Holder

The Clamp-On Cup Holder is convenient for keeping beverages securely in place and preventing desktop spills. The sturdy design keeps cups, mugs, tumblers, and bottles close at hand, yet away from important papers, expensive electronics, and other office essentials.



Details	Color	Dimensions	SKU
<ul style="list-style-type: none"> Keep your desktop and equipment free from spills and moisture rings Fits large cups, mugs, water bottles, and tumblers 	<ul style="list-style-type: none"> Black 	15.7" L x 13.7" D x 3.2" H	ACC077B
	<ul style="list-style-type: none"> White 	15.7" L x 13.7" D x 3.2" H	ACC077W

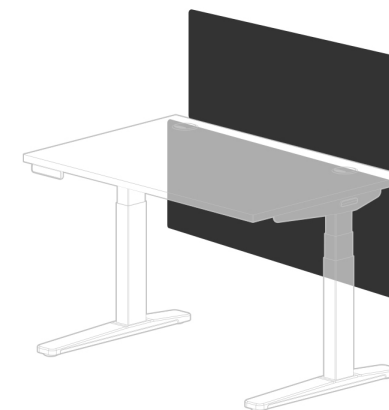
Big Ultra-Thin Keyboard Tray

The Big Ultra Thin Keyboard Tray allows you to position your keyboard at the correct height and angle for your ergonomic needs. Adjust your keyboard height and angle until your wrists are parallel with your desktop. These personalized adjustments result in an overall comfortable workspace and less strain on your body.



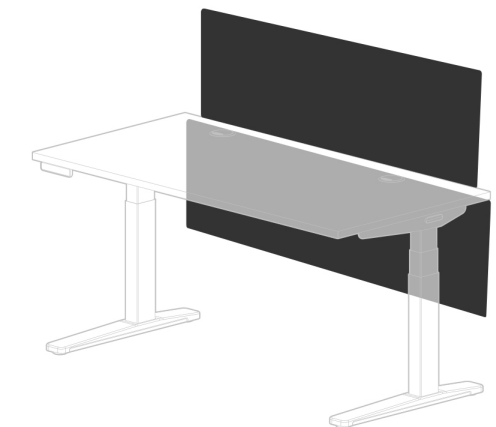
Details	Color	Dimensions	SKU
<ul style="list-style-type: none"> The keyboard tray mechanism features a single knob that sets both height and tilt of the keyboard tray 360° swivel 	<ul style="list-style-type: none"> Black 	27" W x 11.5" D x 0.38" H	UPL127-SPACER-BLK
	<ul style="list-style-type: none"> White 	27" W x 11.5" D x 0.38" H	UPL127-SPACER-WHT
	<ul style="list-style-type: none"> Bamboo 	27" W x 11.5" D x 0.38" H	UPL127-SPACER-BMB

Modesty and Privacy Panel Bundles



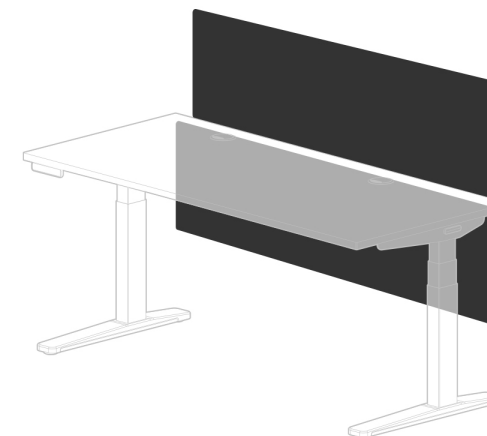
48" Modesty and Privacy Bundle

Products	Color	SKU
48" Wire Panel	<ul style="list-style-type: none"> Black White 	KIT023-48
40" Acoustic Panel	<ul style="list-style-type: none"> Dark Gray Light Gray Lagoon Blue 	



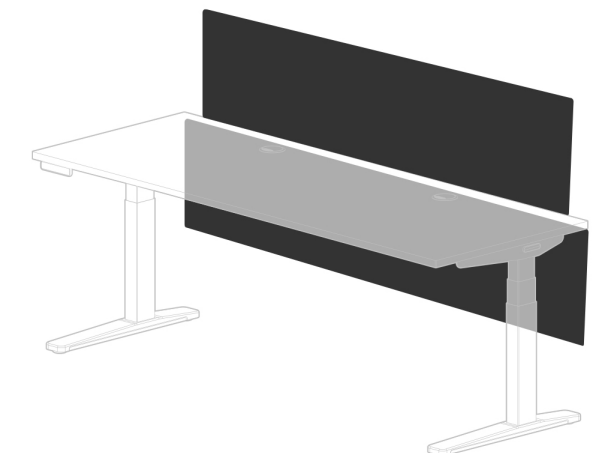
60" Modesty and Privacy Bundle

Products	Color	SKU
60" Wire Panel	<ul style="list-style-type: none"> Black White 	KIT023-60
52" Acoustic Panel	<ul style="list-style-type: none"> Dark Gray Light Gray Lagoon Blue 	



72" Modesty and Privacy Bundle

Products	Color	SKU
72" Wire Panel	<ul style="list-style-type: none"> Black White 	KIT023-72
64" Acoustic Panel	<ul style="list-style-type: none"> Dark Gray Light Gray Lagoon Blue 	



80" Modesty and Privacy Bundle

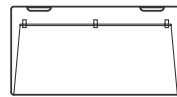
Products	Color	SKU
80" Wire Panel	<ul style="list-style-type: none"> Black White 	KIT023-80
72" Acoustic Panel	<ul style="list-style-type: none"> Dark Gray Light Gray Lagoon Blue 	



Modesty Panels with Wire Management

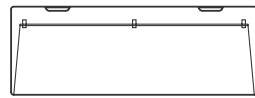
Form meets function with our modesty panels with wire management. The mesh panel attaches to the back of 48, 60, 72 and 80 inch-wide UPLIFT desks, providing a clean finishing touch to your workspace. It's a great solution for the open-concept office or reception area.

29.5" Side Panel



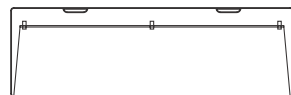
Color	Width	Height
Black	29.5"	15"
White	29.5"	15"

41.5" Back Panel



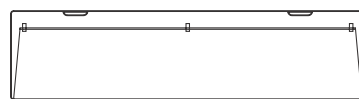
Color	Width	Height
Black	41.5"	15"
White	41.5"	15"

47.5" Back Panel



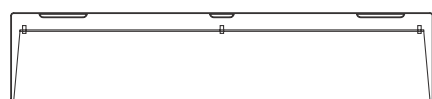
Color	Width	Height
Black	47.5"	15"
White	47.5"	15"

59.5" Back Panel



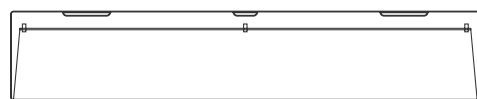
Color	Width	Height
Black	59.5"	15"
White	59.5"	15"

71.5" Back Panel



Color	Width	Height
Black	71.5"	15"
White	71.5"	15"

79.5" Back Panel



Color	Width	Height
Black	79.5"	15"
White	79.5"	15"



Acoustic Privacy Panels

Acoustic Privacy Panels absorb noise and distractions at work via dense polyester fiberboard panels that can be installed on nearly any height adjustable or fixed-height desk. Tackable panels come in multiple sizes, colors, and mounting options to suit all office decor and styles.

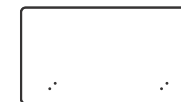
Note: Acoustic Privacy Panels cannot be ordered separately through our GSA schedule. They can only be purchased within KIT023 or GUPL kits.

22" Side Panel



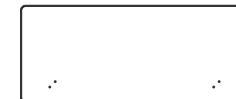
Color	Width	Height
Dark Gray	22"	15.5"
Light Gray	22"	15.5"
Lagoon Blue	22"	15.5"

40" Back Panel



Color	Width	Height
Dark Gray	40"	22"
Light Gray	40"	22"
Lagoon Blue	40"	22"

52" Back Panel



Color	Width	Height
Dark Gray	52"	22"
Light Gray	52"	22"
Lagoon Blue	52"	22"

64" Back Panel



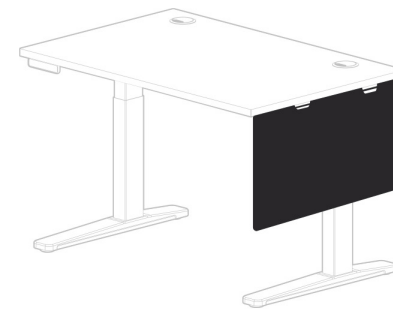
Color	Width	Height
Dark Gray	64"	22"
Light Gray	64"	22"
Lagoon Blue	64"	22"

72" Back Panel



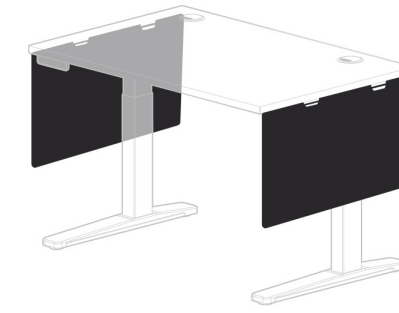
Color	Width	Height
Dark Gray	72"	22"
Light Gray	72"	22"
Lagoon Blue	72"	22"

Modesty Panels with Wire Management



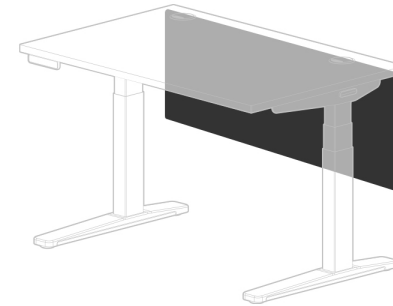
29.5" Wire Management Modesty Panel

SKU	Color
WMK009-29-BLK	Black
WMK009-29-WHT	White



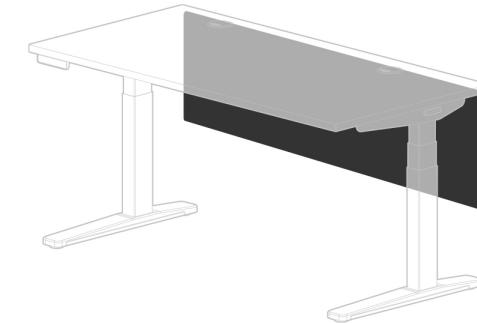
Two 29.5" Wire Management Modesty Panels

SKU	Color
WMK009-292-BLK	Black
WMK009-292-WHT	White



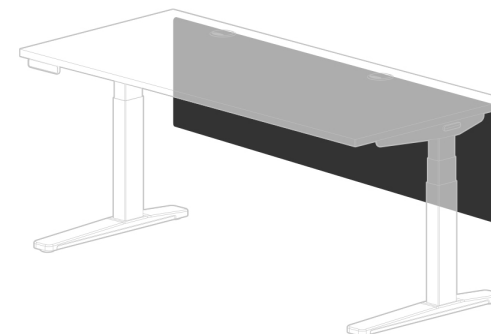
48" Wire Management Modesty Panel

SKU	Color
WMK009-48-BLK	Black
WMK009-48-WHT	White



60" Wire Management Modesty Panel

SKU	Color
WMK009-60-BLK	Black
WMK009-60-WHT	White



72" Wire Management Modesty Panel

SKU	Color
WMK009-72-BLK	Black
WMK009-72-WHT	White

Desk Casters

For those who like to rearrange their spaces frequently, caster sets make moving UPLIFT desks a breeze. They work great on hard floors or low pile carpeting. For safety and stability, the casters lock to keep the desk in place.



Desk Casters

Details

- Replacing leveling glides with desk casters adds about 1.5" of height

Color

- Black
- White

SKU

- GACC020-SET-BLK
- GACC020-SET-WHT



Soft Roll Desk Casters

Details

- Larger diameter casters can more easily traverse uneven floors, bumps, cracks, and cables
- Replacing leveling glides with soft roll casters adds about 2.5" of height

Color

- Black
- White

SKU

- GACC065B-SET
- GACC065W-SET

Seating

Finding the right balance between sitting and standing is crucial for a healthy workday. Ergonomists emphasize that “the best posture is your next posture,” highlighting the importance of movement throughout the day. Quality ergonomic seating plays a vital role in this balanced approach, providing essential support during times you need to sit.



Clarksville Ergonomic Chair

With multiple points of adjustability, the Clarksville Ergonomic Chair adapts to individual preferences, promoting long-term comfort, and helping alleviate lower back fatigue throughout extended periods of sitting. Adjust between three tension levels for smooth, supportive rocking that suits your body and encourages movement and healthy circulation while seated.



Details

- Clean lines and a streamlined design
- 3” thick molded foam cushion, breathable mesh back, and lumbar adjustment
- Meets the requirements outlined in the ANSI/BIFMA X5.1-2017 General-Purpose Office Chair standard

Color

- Fog
- Black

SKU

- CHR475FG
- CHR475B

Engage Stool

Pairing an adjustable height stool with a standing desk creates a dynamic workstation that encourages additional movement throughout the day, helping avoid fatigue and stiffness through active sitting. Alternating between the dynamic movement of the Engage Stool and the structured support of an office chair creates the ideal balance for all-day comfort and productivity.



Details

- Convex base allows users to sit, lean, spin, and rock
- Thick foam seat cushion
- A non-slip rubber grip keeps the stool securely in place

Color

- Fog
- Graphite
- Cobalt

SKU

- CHR474FG
- CHR474GP
- CHR474CB

Storage

Most people don't think about storage and organization at their height-adjustable workstations until they're all set up. Our versatile storage solutions offer a place to store your items, while some can double as impromptu seating for collaborative moments.



Desk Drawers

From laptops to loose binders, essential items are more secure and accessible when stored properly rather than being scattered across a workspace.

UPLIFT Desk offers storage solutions designed to organize and protect office necessities. Add additional storage to your desk or choose from desk drawers that lock away valuables or hanging storage solutions.



Desk Drawer



Details

- Sliding drawer locks for a secure place for documents and personal items
- 12" x 12" shelf creates space on sit-stand and fixed-height desks

Color

- Black
- Gray
- White

SKU

- STR101B
- STR101G
- STR001W

Slim Desk Drawer



Details

- Inner storage space of 16" x 13" holds papers, cell phones, tablets, and laptops with screen sizes up to 15"
- Low profile design stays out of the way when you're seated at your desk

Color

- Black
- Gray
- White

SKU

- STR008-BLK
- STR008-GRY
- STR008-WHT

Compact Desk Drawer



Details

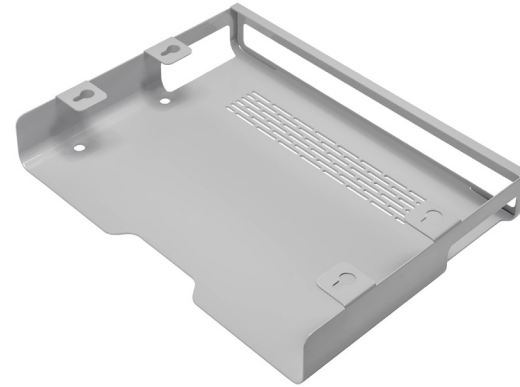
- Sliding drawer locks for a secure place for documents and personal items
- Pass-through hole in back allows for charging cables for phones and other small devices

Color

- Black
- Gray
- White

SKU

- STR031-BLK
- STR031-GRY
- STR031-WHT



Slim Under Desk Shelf

Details

- 16" W x 12" D x 1.8" H fits tablets, accessories, phones, and laptops with screen sizes up to 17"
- Easily run cords to plug in mobile devices or a laptop on the shelf

Color

- Black
- Gray
- White

SKU

- STR145B
- STR145G
- STR145W



Hanging Storage Cubby with Door

Details

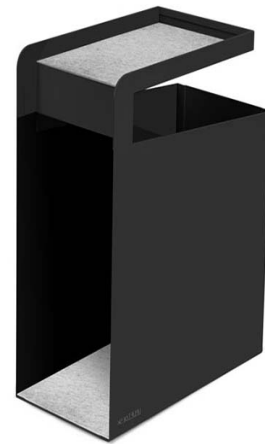
- Unbox and install, no assembly required for either the cubby or door

Color

- Black
- Gray
- White

SKU

- STR004-BLK + STR004DRB
- STR004-GRY + STR004DRG
- STR004-WHT + STR004DRW



Hanging Storage Cubby

Details

- 7.3" W x 14" D x 17.5" H storage holds 3-ring binders, and laptops
- Unbox and install to the front edge of desks, no assembly required

Color

- Black
- Gray
- White

SKU

- STR004-BLK
- STR004-GRY
- STR004-WHT

Filing Cabinets

Built for smooth performance and heavy-duty use, UPLIFT Desk file cabinets feature a construction solid enough to support your weight. This robust design brings a touch of sophistication to your office, offering a secure place to tuck away important documents and everyday essentials.



2-Drawer Filing Cabinet with Seat



Details

- Cushioned guest seat supports 225 lbs.
- Built-in lock secures both drawers
- Steel construction meets BIFMA durability standards

Color

- Black
- Gray
- White
- Industrial

SKU

- STR002-BLK
- STR002-GRY
- STR002-WHT
- STR002-IND

Narrow 2-Drawer Filing Cabinet with Seat



Details

- Comfy side seat for impromptu brainstorming and meetings
- Drawers lock and store a variety of items, from documents to snacks

Color

- Black
- Gray
- White
- Industrial

SKU

- STR006-BLK
- STR006-GRY
- STR006-WHT
- STR006-IND

3-Drawer Filing Cabinet



Details

- Secure Storage - All three drawers lock via 1 key (extra key included)
- Letter and Legal Ready - Bottom drawer holds folders and paper

Color

- Black
- Gray
- White
- Industrial

SKU

- STR003-BLK
- STR003-GRY
- STR003-WHT
- STR003-IND

MoPac Cabinet

Whether you're looking for a way to get the most from your space or just need a storage solution for everyday office items, the MoPac System has you covered. Made of durable laminate in desktop-matching finishes, it's an ideal choice for anyone looking for a stylish and practical solution to keep things handy, protected, and organized.

Greenguard-Gold Certified laminate ensures the MoPac system meets strict chemical emissions standards for use in indoor spaces. Shelves adjust vertically in 1.25" increments, and convenient leveling glides are built into cabinet bases.



Single Cabinet with Doors



Details

- Soft-close hinges ensure peace and quiet in the office

Color

- Black
- White
- Walnut
- Ash Gray

SKU

- STR126B
- STR126W
- STR126WL
- STR126AG

Single Cabinet without Doors



Details

- Mix and match open and closed cabinets to create custom arrangements

Color

- Black
- White
- Walnut
- Ash Gray

SKU

- STR044B
- STR044W
- STR044WL
- STR044AG

Cabinet Handles

Details

- Cast aluminum
- Bold aesthetic that complements the MoPac line

Color

- Nickel
- Black

SKU

- GACC090NK-SET
- GACC090B-SET

MoPac Wardrobe

The MoPac Wardrobe is another core element and building block in the MoPac line. It stands apart as a spacious, attractive, smartly designed storage solution that can be customized and configured with MoPac Cabinets to complete any office.

Greenguard-Gold Certified laminate ensures the MoPac system meets strict chemical emissions standards for use in indoor spaces. Shelves adjust vertically in 1.25" increments, and convenient leveling glides are built into cabinet bases.



Wardrobe

Details

- Large top shelf area and an open area for jackets, backpacks, and more
- Four adjustable height storage cubbies

Color

- Black
- White
- Walnut
- Ash Gray

SKU

- STR029 + STR029
- STR029 + STR029
- STR029 + STR029
- STR029AG1 + STR029AG2

Wardrobe Handles

Details

- Cast aluminum
- Bold aesthetic that complements the MoPac line

Color

- Nickel
- Black

SKU

- GACC091B-SET
- GACC091NK-SET

Standing Desk Converter

Not everyone is ready or able to upgrade to an UPLIFT Standing Desk at this time. Converters are a great way to receive the health benefits of switching between standing and sitting, minus the common obstacles. Leave traditional desks fully intact and place the desk converter on top.



ATX Standing Desk Converter

Details

- Supports up to 39.6 lb of monitors, laptops, or other equipment
- Arrives pre-assembled, no tools required
- Meets ANSI/BIFMA X5.5-2021 standard for durability and stability
- Worksurface area of 35.4" x 21"
- Height range from 6.3" to 24.6"

Color

- Black
- White

SKU

- UDA223B
- UDA223W

Government Solutions

UPLIFT DESK

Work better. Live healthier.



gsaadvantage.gov
(800) 349-3839