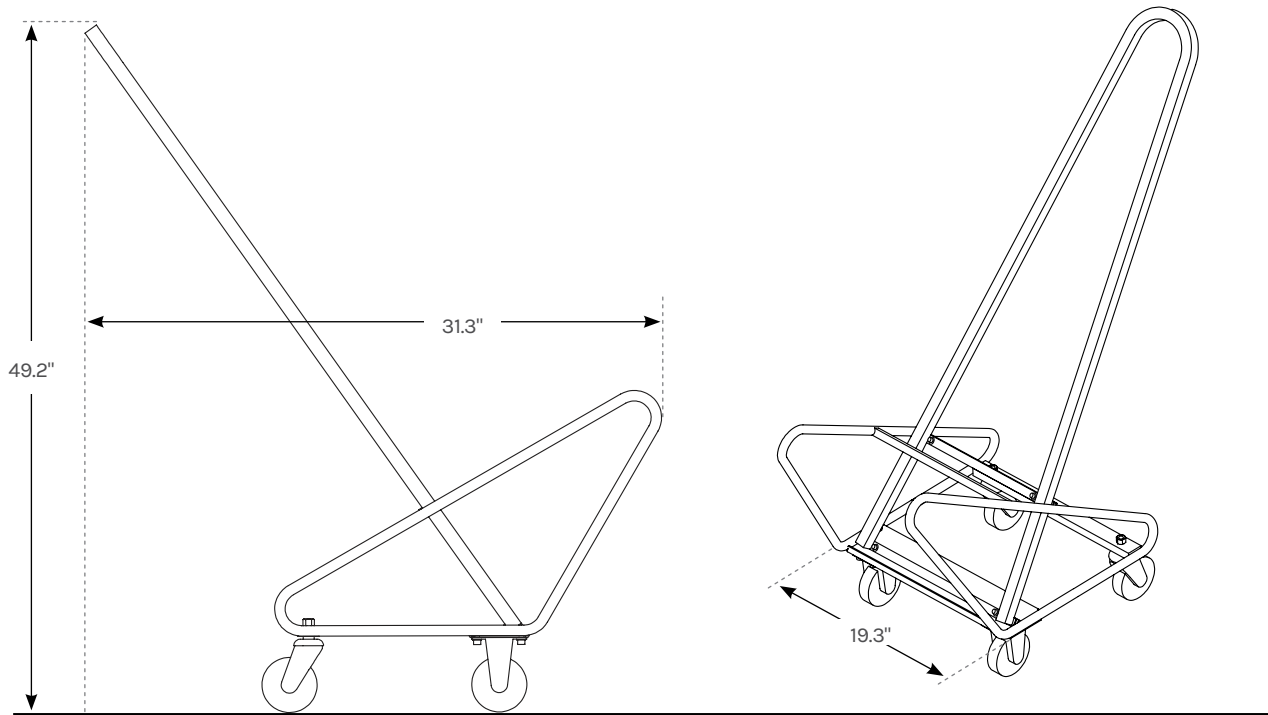


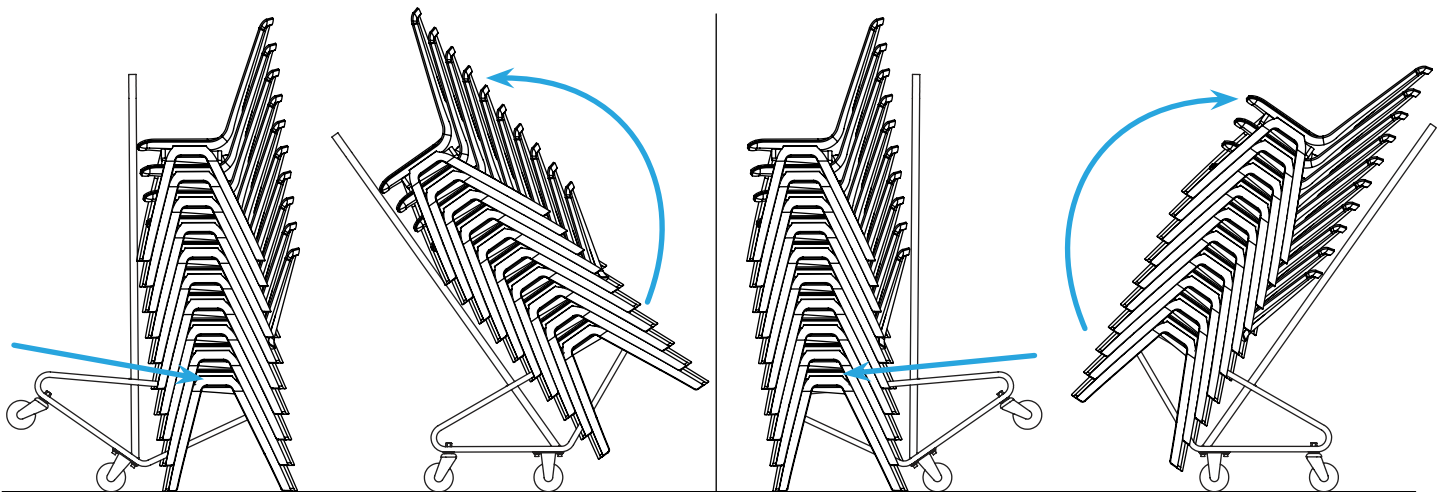
Flex Chair Dolly

ACC074

Specifications



Dolly can be used from either the front or back of the stack.



Product dimensions & weight 19.3" W x 31.3" D x 49.2" H (when on all 4 wheels), 24.1 lb

Frame material Welded 16 gauge steel tubing

Wheel material Polyurethane

Flex Chair capacity 10 Flex Chairs

Weight capacity 220 lb

Finish Powder coat

Color Black

Shipping dimensions Box 1 (dolly base):
28.9" L x 22.8" D x 20.7" H, 23.7 lb
Box 2 (dolly handle):
53.5" L x 18.3" D x 1.6" H, 8 lb

Warranty 15 year

Copyright Notice: This guide is a component of this UPLIFT Desk product. This guide is a part of the scope of delivery, even if the item is resold. This guide is also available on the UPLIFT Desk website: upliftdesk.com. These specifications are subject to United States copyright law.